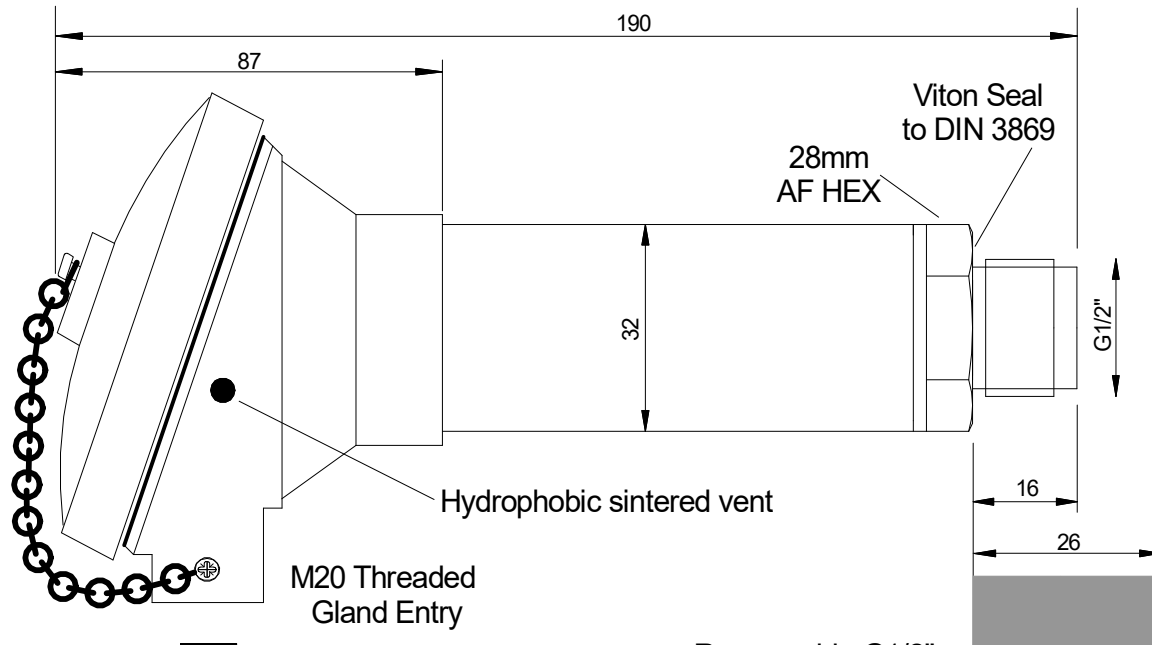
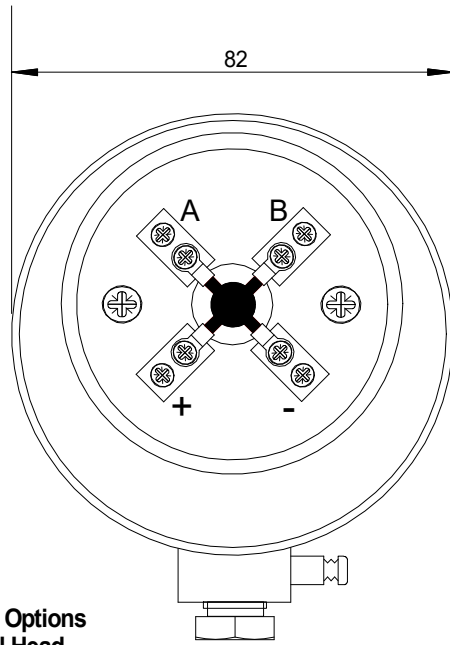



APT1000 CONNECTIONS		
+	Positive	Supply 4-20mA
-	Negative	
A	Data +	RS485 Data
B	Data -	

OPTIONAL MOUNTING FLANGE						
Flange	Holes	PCD(mm)	Bolt Size	A(mm)	B(mm)	Material
DN20 PN16	4	75	M12	105	18	316SS
DN25 PN16	4	85	M12	115	18	316SS
DN40 PN16	4	110	M16	150	18	316SS
DN50 PN16	4	125	M16	165	18	316SS
1" ANSI 150lb	4	79	1/2"	114	18	316SS
1" ANSI 300lb	4	89	5/8"	125	18	316SS
2" ANSI 150lb	4	121	5/8"	152	18	316SS

Note:
Flange Thickness (B) Must be Minimum 18mm to Provide Protection for Sensor Diaphragm. All Flanges Supplied Loose for Customer to Fit. Refer to Instruction Drawing P19051-APT-GA. Other Flange Sizes are Available. Refer to PSM



Material Options
Terminal Head
 316 Stainless Steel
Sensor / wetted parts
 All 316 ST/STL
 All Titanium
 Hastelloy / Tantalum Process Connection / Stainless Body

 Rubber bush 8mm bore

 Gland nut

Removeable G1/2" Protective Nosecone

SCALE
NTS
FINISH

MATERIAL AND SPECIFICATION

ALL DIMENSIONS ARE IN MILLIMETERS UNLESS OTHERWISE STATED
 TOLERANCES UNLESS OTHERWISE STATED
 +/- 0.1
 ANG +/-2

ISSUE	D	28-04-22		
DATE				
TR				
DRAWN	SAL			
CHECKED	MU			



INSTRUMENTATION LTD

PART OF THE  GROUP

TITLE
APT1000 Transmitter
with SS Terminal Head

Datasheets
APT1000 DAT57

DRAWING No
S-001494-APT-DD

SALES DRAWING ONLY

SHT 1
OF 1

A4