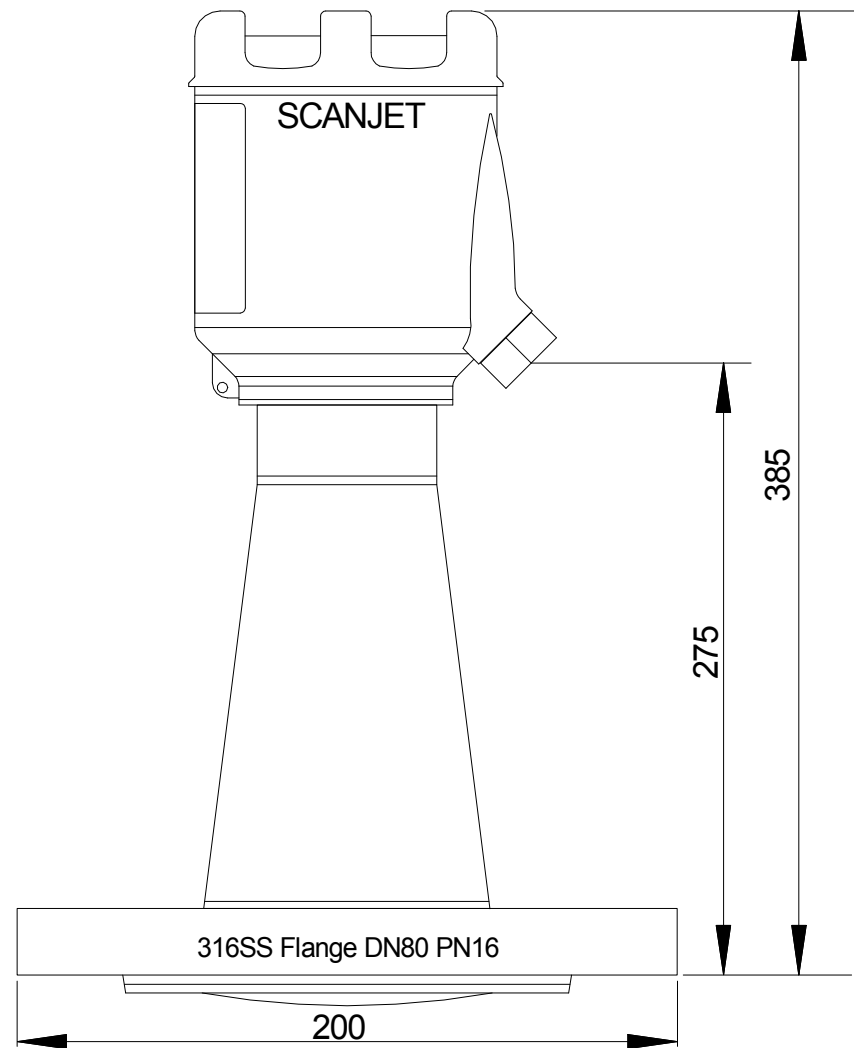


Materials:
 Housing - SS 316L (Mo 2.8)
 Enclosure Material - SS 316L (Mo 2.8)
 Process connection Flange DN80 PN16 - SS 316L
Flange Dimensions:-
 OD: 200mm
 PCD: 160mm
 No of Hole: 8
 Hole Dia: 18mm

Connection:
 Cable Conduit - M20 x 1.5

Input Terminations
 Refer to Manual



| | | | | | |
|--------|--|----------------------------|--|--|--|
| SCALE | | MATERIAL AND SPECIFICATION | | ALL DIMENSIONS ARE IN MILLIMETERS UNLESS OTHERWISE STATED TOLERANCES UNLESS OTHERWISE STATED +/- 0.1 ANG +/2 | |
| NTS | | | | A | |
| FINISH | | | | 22-07-20 | |
| | | | | DATE | |
| | | | | TCR | |
| | | | | DRAWN | |
| | | | | SAL | |
| | | | | CHECKED | |
| | | | | MVJ | |



INSTRUMENTATION LTD
 PART OF THE **scanjet** GROUP

TITLE
 ScanRad SC5R 27GHz
 Radar Level Transmitter
 Ref Datasheet: DAT 53

DRAWING No
 S-001503-RAD-GA
SALES DRAWING ONLY

SHT I
 OF I
A4