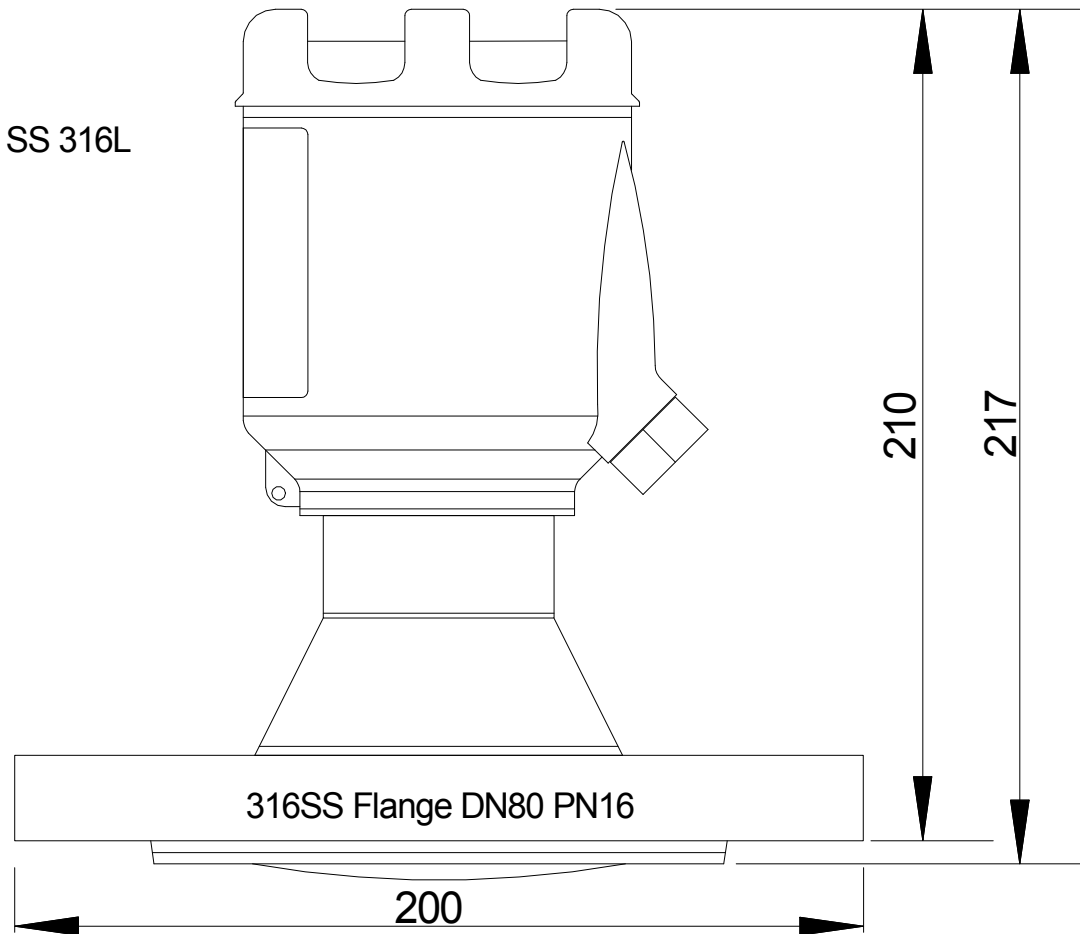


**Materials:**  
 Housing - SS 316L (Mo 2.8)  
 Enclosure Material - SS 316L (Mo 2.8)  
 Process connection Flange DN80 PN16 - SS 316L  
**Flange Dimensions:-**  
 OD: 200mm  
 PCD: 160mm  
 No of Hole: 8  
 Hole Dia: 18mm

**Connection:**  
 Cable Conduit - M20 x 1.5

**Input Terminations**  
 Refer to Manual



SCALE  
NTS  
FINISH

MATERIAL AND SPECIFICATION

ALL DIMENSIONS ARE IN MILLIMETERS  
 UNLESS OTHERWISE STATED  
 TOLERANCES UNLESS OTHERWISE STATED  
 +/- 0.1  
 ANG +/2

ISSUE	A
DATE	31.03.20
TCR	
DRAWN	SAL
CHECKED	MVJ

SHT I  
OF I

A4



INSTRUMENTATION LTD

PART OF THE  GROUP

TITLE

ScanRad SC8R 80GHz  
Radar Level Transmitter

DRAWING No

S-001501-RAD-GA

SALES DRAWING ONLY

