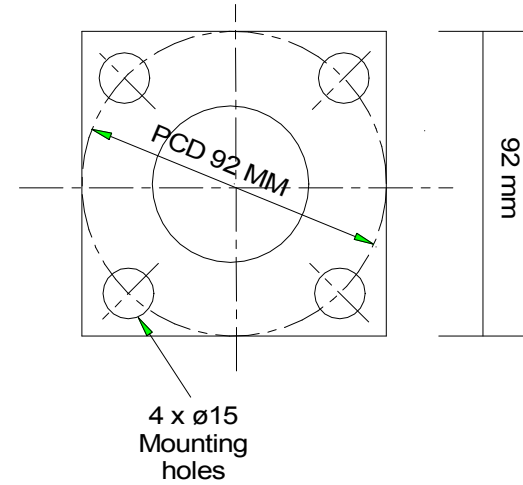
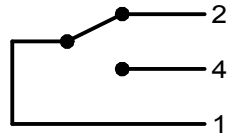


### Flange Details



### ELECTRICAL CONNECTION



### SPECIFICATION

DUTY	LIQUID
MOUNTING	SIDE MOUNTING
IP GRADE	68
HOUSING	Gun Metal RG5 or RG10
FLOAT	Type 1.4571 High-Grade Steel

SCALE	NTS
	FINISH
MATERIAL AND SPECIFICATION	
ALL DIMENSIONS ARE IN MILLIMETERS UNLESS OTHERWISE STATED	
	TOLERANCES UNLESS OTHERWISE STATED
C	11-08-20
	SL
ISSUE	CHECKED
DATE	
TCR	
DRAWN	
CHECKED	



**INSTRUMENTATION LTD**  
PART OF THE **scanjet** GROUP

TITLE  
**LSA Side Mount Float Switch With Square A Flange without Test Handle**  
Datasheet DAT56

DRAWING No  
**S-001383-SW-DD**  
**SALES DRAWING ONLY**

SHT 1 OF 1  
**A4**