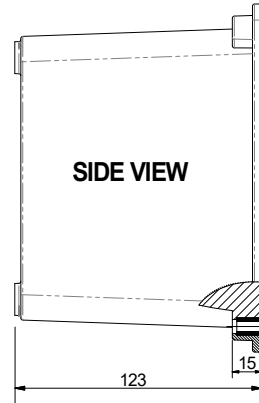
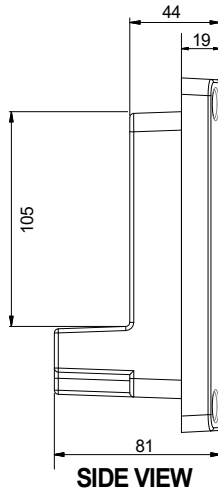
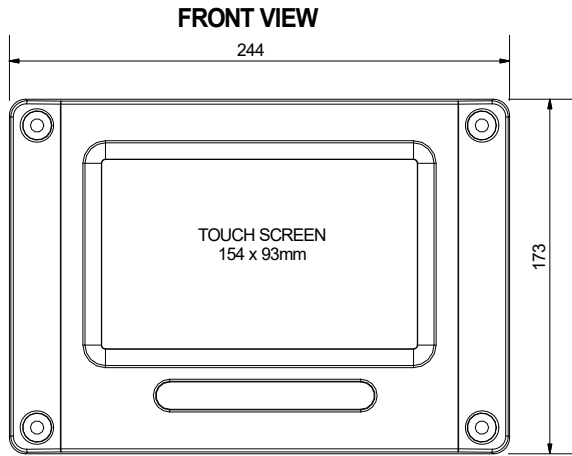
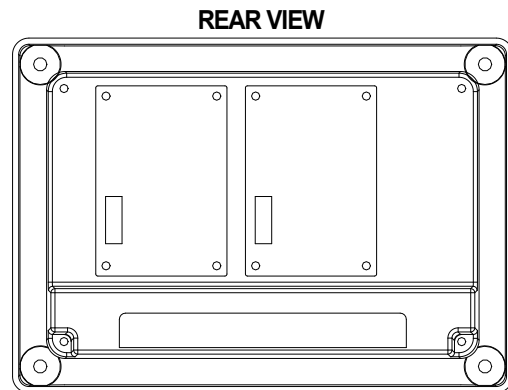
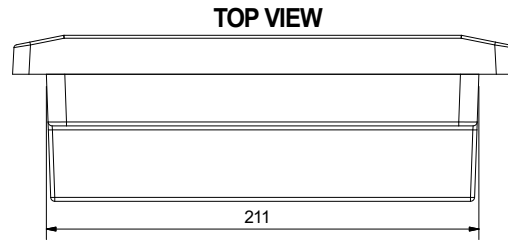
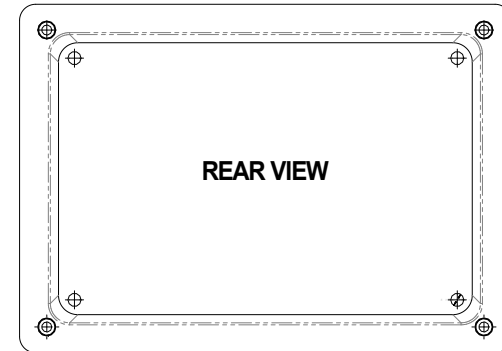
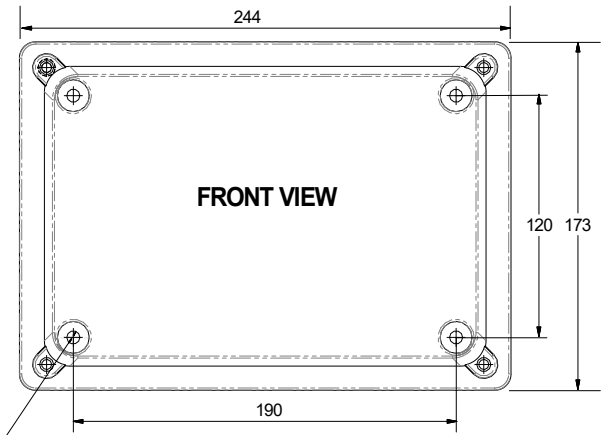


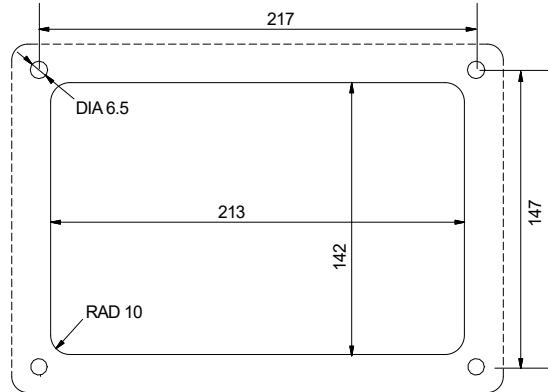
SALES DRAWING ONLY
NOT TO BE USED FOR MANUFACTURE



OPTIONAL WALL MOUNT ADAPTER



PANEL MOUNT CUT OUT DIMENSIONS



ISSUE	DATE	DCR	DRAWN	CHECKED
A	09-01-15		SAL	
B	31-01-17		SAL	
C	19-11-20		MMJ	

PSm Instrumentation Ltd

Haywards Heath, West Sussex RH16 1TW
ph: 44 (0) 1444 410040 f: 44 (0) 1444 410121
<http://www.psmmarine.com>

SCALE
NTS

UNLESS OTHERWISE STATED DIMENSIONS ARE IN
MILLIMETRES / INCHES

TITLE
VPM4300 Series Process
Monitor Dimensional Drawing

DRAWING NO
S-001422-VPM-DD

A4 SHT 1
OF 1

