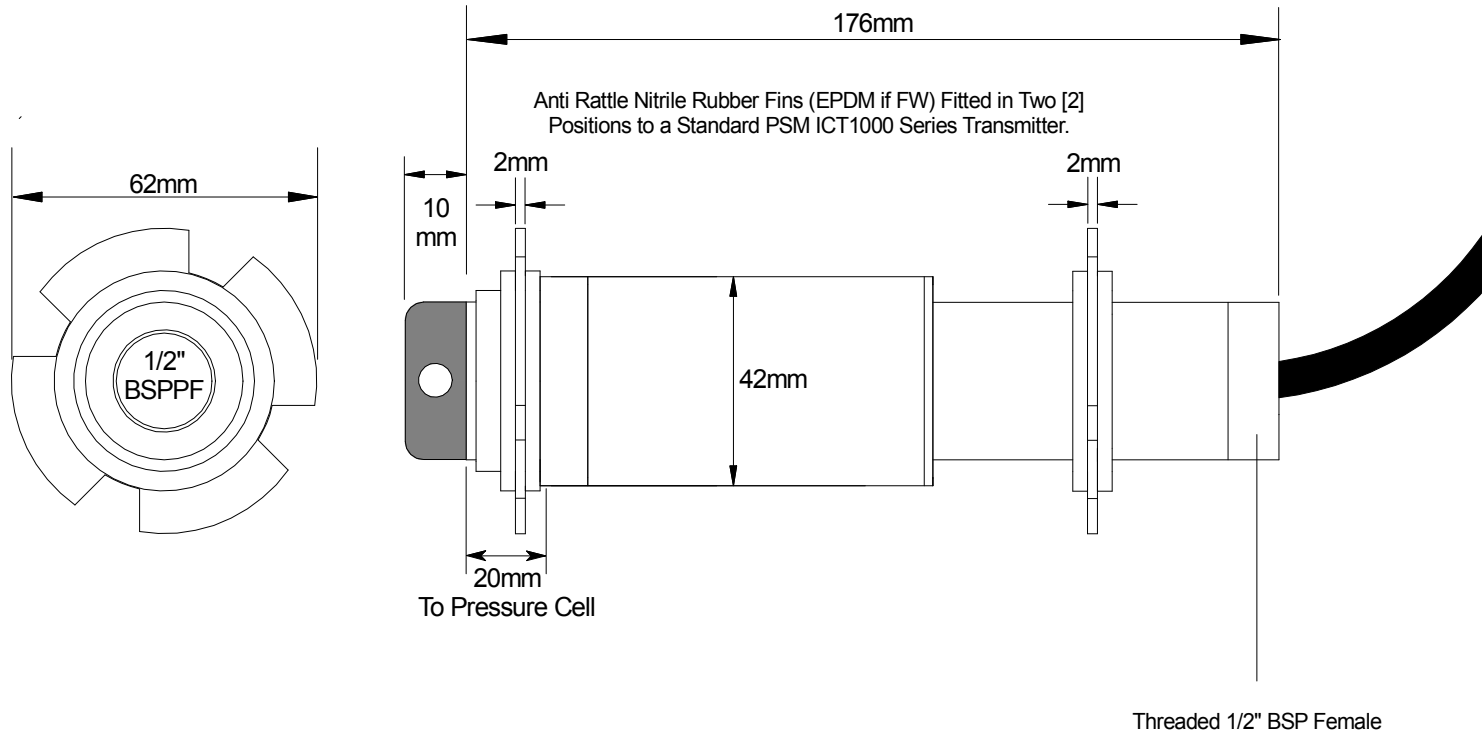


SALES DRAWING ONLY
NOT TO BE USED FOR MANUFACTURE

Anti Rattle sleeve to suit Stilling Pipe or Socket OD of 73mm / ID of 59mm



ISSUE	A
DATE	09-04-15
DCR	
DRAWN	SAL
CHECKED	

PSM Instrumentation Ltd

Haywards Heath, West Sussex RH16 1TW
 ph: 44 (0) 1444 410040 f: 44 (0) 1444 410121
<http://www.psmmarine.com>

SCALE
NTS

UNLESS OTHERWISE STATED DIMENSIONS ARE IN
MILLIMETRES / INCHES

TITLE
ICT Pole Adaptor Mounted
With Nitrile Anti Rattle Fins

DRAWING NO
S-001420-1000-DD

A4 SHT 1 OF 1