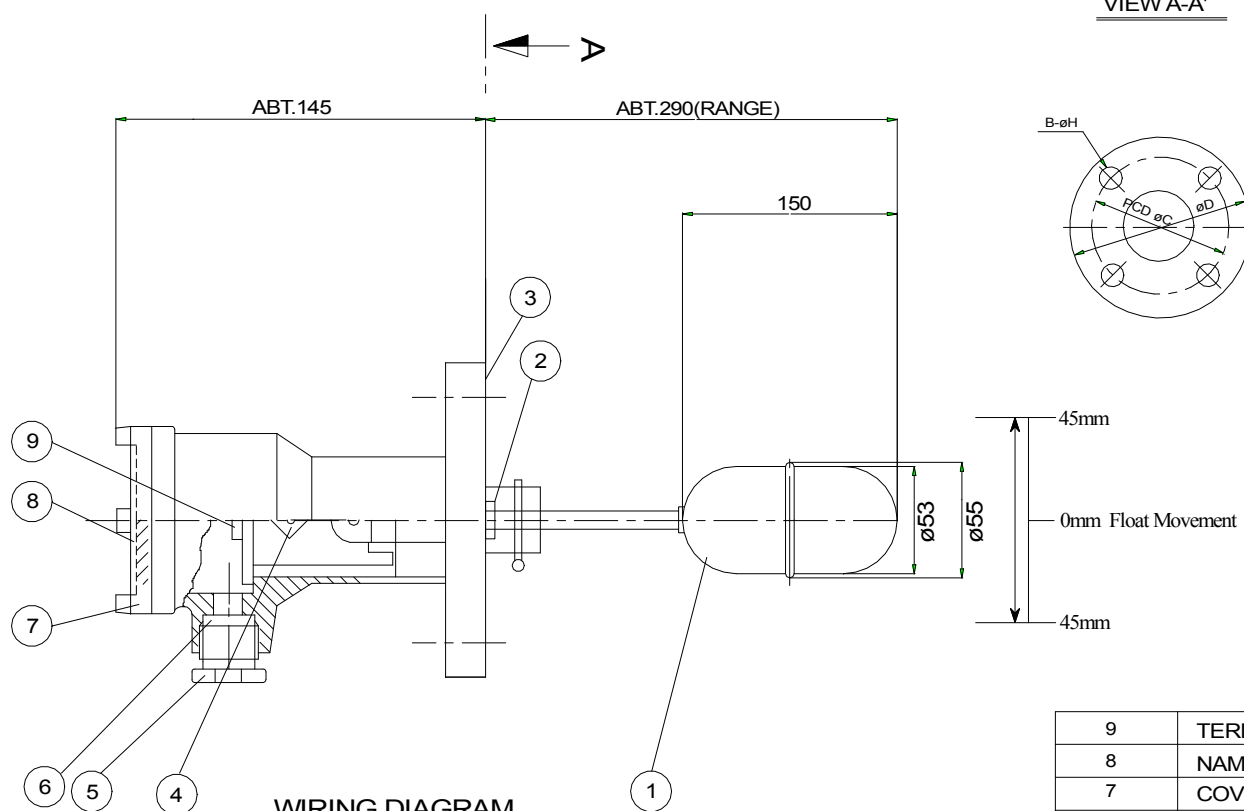
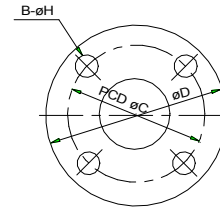


SALES DRAWING ONLY
NOT TO BE USED FOR MANUFACTURE



VIEW A-A'



FLANGE DIMENSION TABLE

METRIC	B	C	D	H
DN40 PN6	4	100	130	14
DN50 PN6	4	110	140	14
DN65 PN6	4	130	160	14

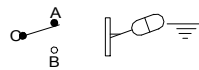
IMPERIAL	B	C	D	H
ANSI 150 2"	4	120.65	152.4	19.05

SPECIFICATION

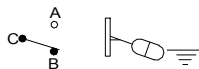
LIQUID :
MOUNTING : SIDE MOUNTING
MAX. PRESS. : 7bar
MAX. TEMP : 120°C
SWITCH : SPDT 250V3A
IP GRADE : 66

WIRING DIAGRAM

C-A MAKES ON RISING LEVEL



C-B MAKES ON FALLING LEVEL



9	TERMINAL		1	
8	NAME PLATE	BS	1	
7	COVER	ALC	1	
6	CLAND PACKING	RUBBER	1	
5	CABLE GLAND	BS	1	
4	MICRO SWITCH		1	
3	BODY	SUS304	1	
2	MAGNET	ALNICO	1	
1	FLOAT	SUS316L	1	

ISSUE	DATE	DCR	DRAWN	CHECKED
C	14-10-16		SAL	MWJ
B	25-01-16		SAL	MWJ
A	28-01-15		SAL	MWJ

PSm Instrumentation Ltd

Haywards Heath, West Sussex RH16 1TW
ph: 44 (0) 1444 410040 f: 44 (0) 1444 410121
<http://www.psm-sensors.co.uk>

SCALE
NTS

UNLESS OTHERWISE STATED DIMENSIONS ARE IN
MILLIMETRES / INCHES

TITLE
Float Switch
KD12 3H-W-A

DRAWING NO
S-001412-SW-GA

A4

SHT 1
OF 1