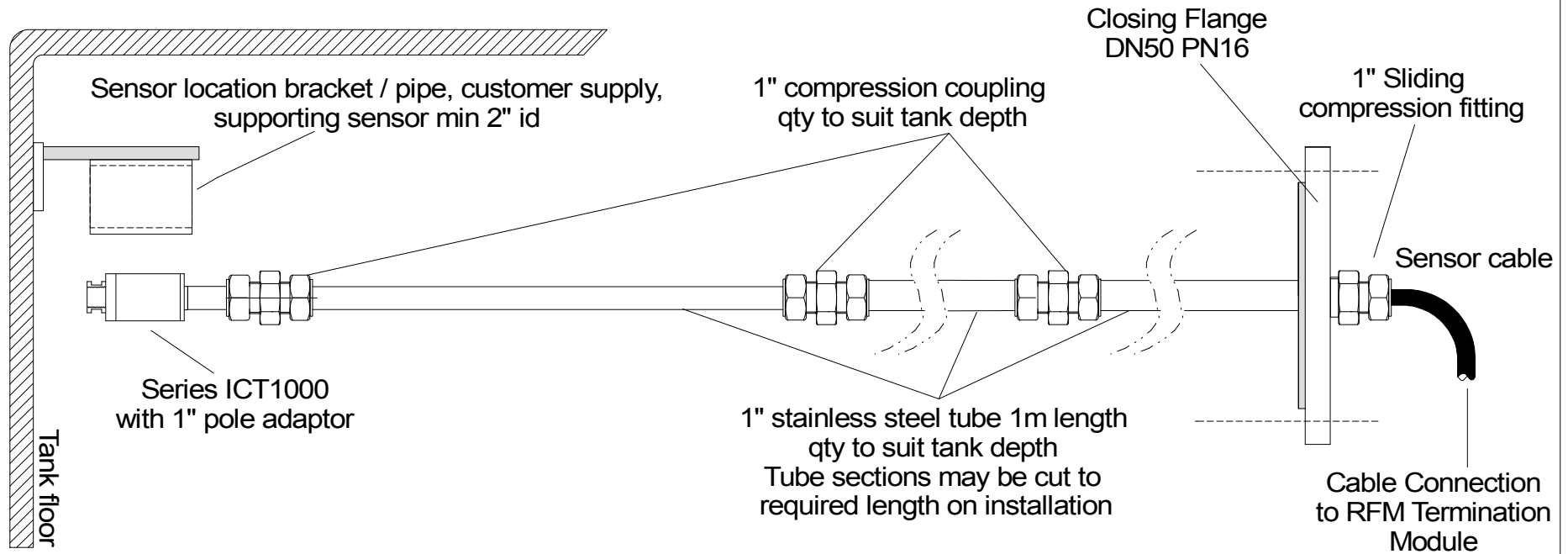


SALES DRAWING ONLY
NOT TO BE USED FOR MANUFACTURE



ISSUE	A
DATE	19-12-14
DCR	
DRAWN	SL
CHECKED	MJ

PSm Instrumentation Ltd

Haywards Heath, West Sussex RH16 1TW
 ph: 44 (0) 1444 410040 f: 44 (0) 1444 410121
<http://www.psmmarine.com>

SCALE
NTS

UNLESS OTHERWISE STATED DIMENSIONS ARE IN
MILLIMETRES / INCHES

TITLE
Articulated Pole Mounted ICT1000
With DN50 PN16 Closing Flange

DRAWING NO
S-001410-260-GO

A4 SHT 1
OF 1