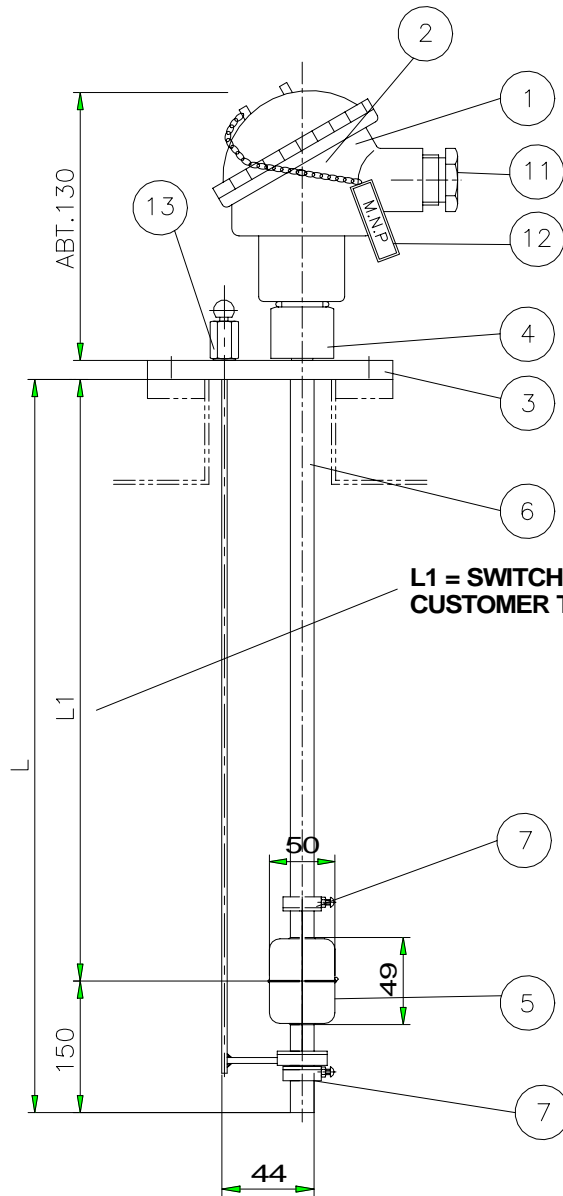
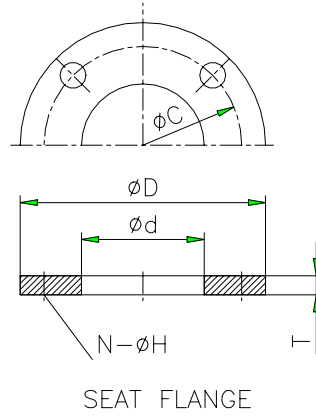


SALES DRAWING ONLY
NOT TO BE USED FOR MANUFACTURE

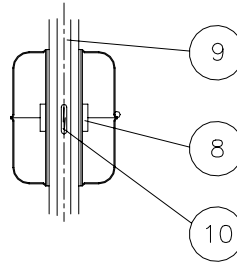


SEAT FLANGE DIMENSION TABLE

SIZE	D	C	d	N	H	T
5K-65A	155	130	77.1	4	15	14



SEAT FLANGE



SPECIFICATION

1. MAX. PRESSURE : 10bar
2. MAX. TEMPERATURE : 120°C
3. MOUNTING : TOP FLANGE
4. SWITCH : REED SWITCH TYPE
5. VOLTAGE : 250V, 0.5A
6. ENCLOSURE : IP56
7. APPLICATION : WATER & OIL

13	TEST LEVER	SS41	1	DIMS
12	NAME PLATE	BC	1	
11	CABLE GLAND	BC	1	
10	REED SWITCH		1	
9	PLATE	PCB	1	
8	MAGNET	FERRITE	2	
7	STOPPER	SUS304	2	
6	SENSOR PIPE	SUS304	1	ø12.7
5	FLOAT	SUS304	1	
4	SOCKET	SS41	1	
3	FLANGE	SS41	1	
2	COVER	ALC	1	
1	BODY	ALC	1	

ISSUE	DATE	DCR	DRAWN	CHECKED
A	16-09-11		SAL	SAL
B	19-11-13		SAL	SAL

PSm Instrumentation Ltd

Haywards Heath, West Sussex RH16 1TW
 ph: 44 (0) 1444 410040 f: 44 (0) 1444 410121
<http://www.psmmarine.com>

SCALE
NTS

UNLESS OTHERWISE STATED DIMENSIONS ARE IN
MILLIMETRES / INCHES

TITLE
Float Switch
KD30-4-1A-W-T

DRAWING NO
S-001358-SW-GA

A4 SHT 1 OF 1