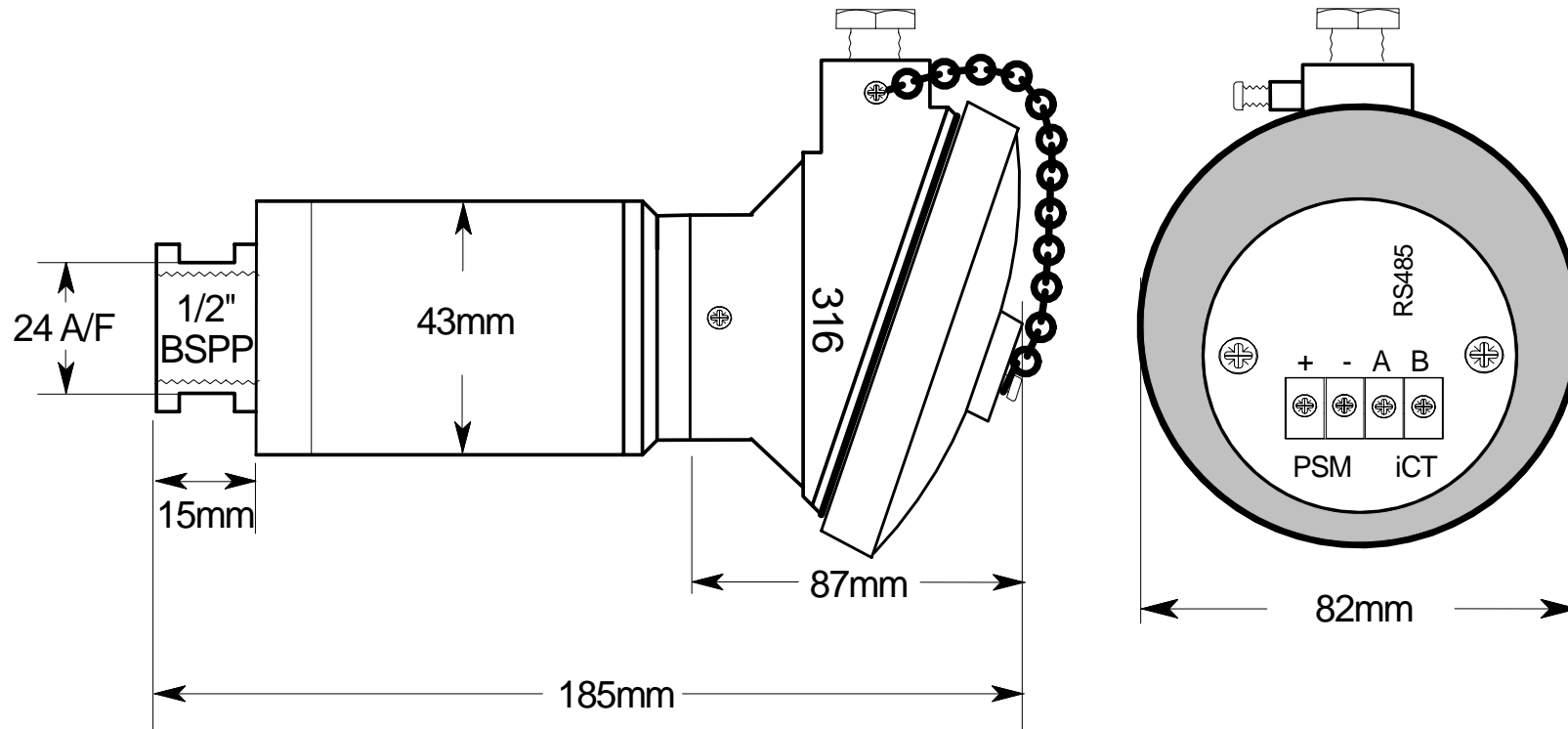


SALES DRAWING ONLY
NOT TO BE USED FOR MANUFACTURE

All 316 Stainless Steel Sensor Body & Terminal Head with M20 Cable Entry. Protection Rating IP67



ISSUE	A
DATE	22-08-11
DCR	
DRAWN	SAL
CHECKED	

PSm Instrumentation Ltd

Haywards Heath, West Sussex RH16 1TW
 ph: 44 (0) 1444 410040 f: 44 (0) 1444 410121
<http://www.psm-sensors.co.uk>

SCALE
NTS

UNLESS OTHERWISE STATED DIMENSIONS ARE IN
MILLIMETRES / INCHES

TITLE
iCT Pressure Transmitter
With Terminal Head Drawing

DRAWING NO
S-001357-iCT-GA

A4 SHT 1 OF 1