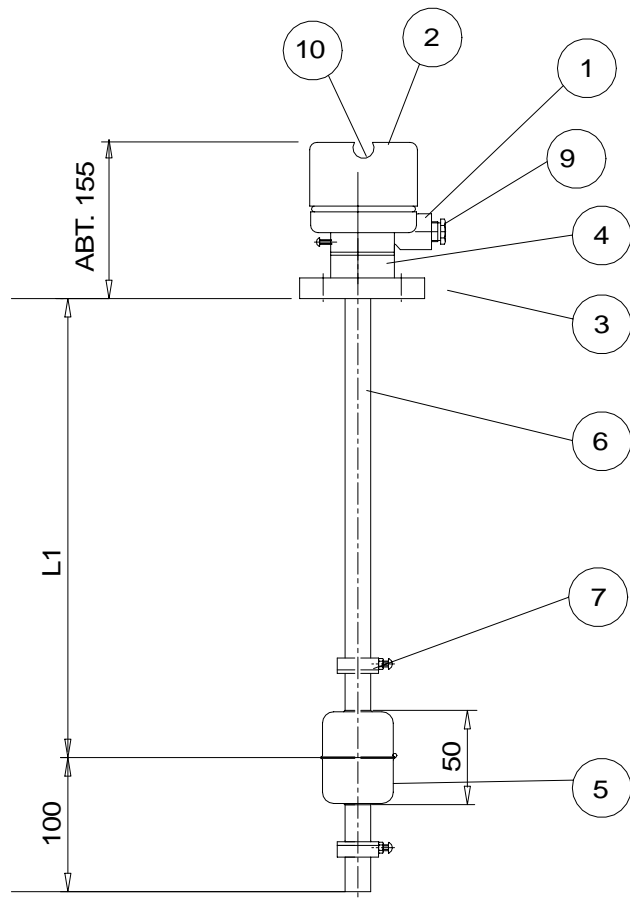
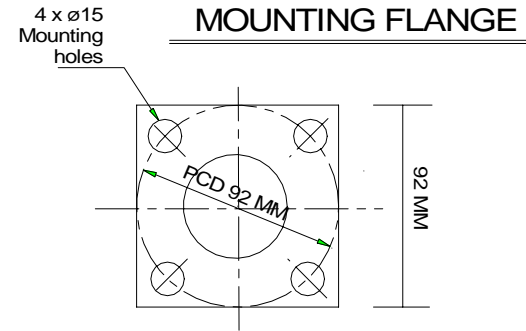


SALES DRAWING ONLY
NOT TO BE USED FOR MANUFACTURE



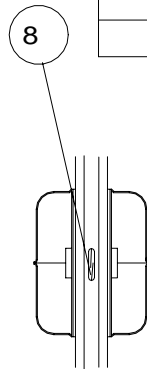
LENGTH L1 = 1400MM



10	NAME PLATE	BS	1	
9	CABLE GLAND	BC	1	
8	REED SWITCH		1	
7	STOPPER	SUS304	2	
6	SENSOR PIPE	SUS304	1	ø12.7
5	FLOAT	SUS304	1	
4	SOCKET	SUS304	1	
3	FLANGE	SUS304	1	92 x 92mm
2	COVER	ALC	1	
1	BODY	ALC	1	

SPECIFICATION

MAX. PRESSURE : 7 Bar
 MAX. TEMPERATURE : 120°C
 MOUNTING : TOP FLANGE
 SWITCH : REED SWITCH TYPE
 SWITCH RATING : 30V DC, 3A
 ENCLOSURE : ALUMINIUM IP65
 COLOUR : MUNSELL No. 7.5 BG 7/2
 APPLICATION : WATER & OIL



ISSUE	A
DATE	07-06-11
DCR	
DRAWN	MVJ
CHECKED	

PSm Instrumentation Ltd

Haywards Heath, West Sussex RH16 1TW
 ph: 44 (0) 1444 410040 f: 44 (0) 1444 410121
<http://www.psm-sensors.co.uk>

SCALE
NTS

UNLESS OTHERWISE STATED DIMENSIONS ARE IN
MILLIMETRES / INCHES

TITLE
Top Mount Float Switch
KD30 9S-1A-W

DRAWING NO
S-001349-SW-DD

A4

SHT 1
OF 1