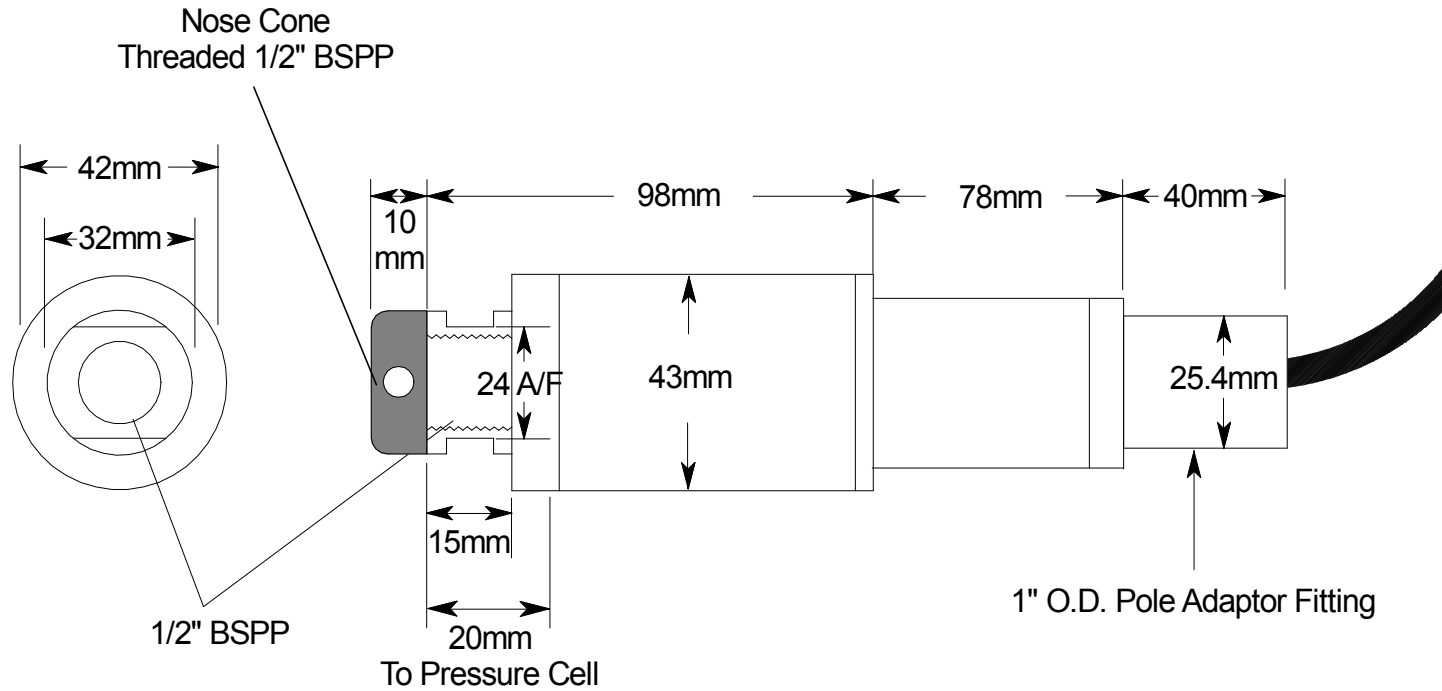


SALES DRAWING ONLY
NOT TO BE USED FOR MANUFACTURE



ISSUE	A	B	C	D
DATE	07-06-11	09-01-14	03-12-14	09-04-15
DCR				
DRAWN	MVJ	SAL	SAL	SAL
CHECKED				

PSm Instrumentation Ltd

Haywards Heath, West Sussex RH16 1TW
 ph: 44 (0) 1444 410040 f: 44 (0) 1444 410121
<http://www.psmmarine.com>

SCALE
NTS

UNLESS OTHERWISE STATED DIMENSIONS ARE IN
MILLIMETRES / INCHES

TITLE
ICT Dimensional Drawing
with 1" OD Pole Adaptor for
1" Compression Fitting

DRAWING NO
S-001347-iCT-DD

A4 SHT 1
OF 1