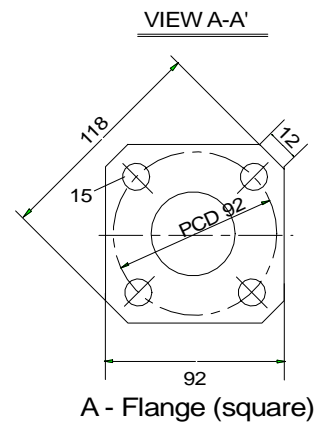
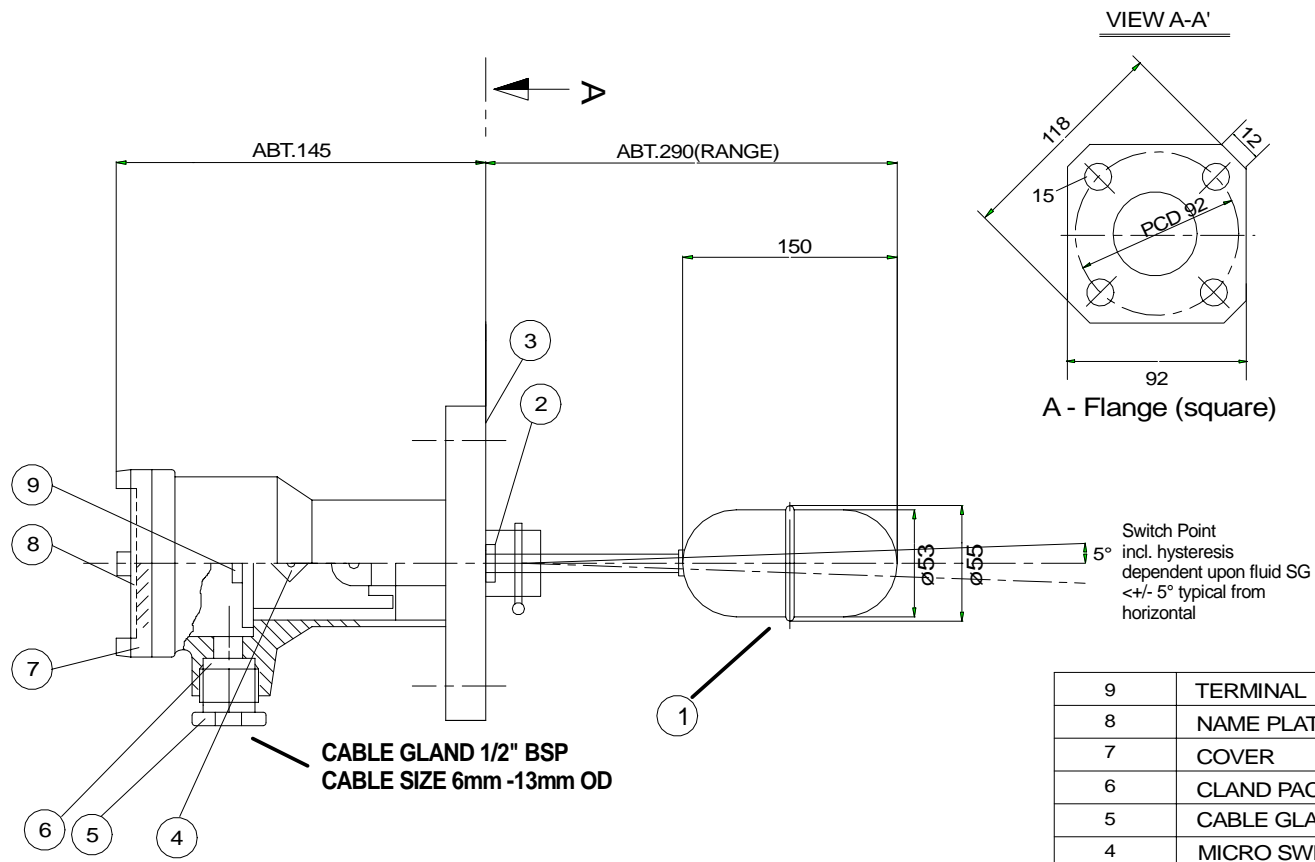


SALES DRAWING ONLY
NOT TO BE USED FOR MANUFACTURE

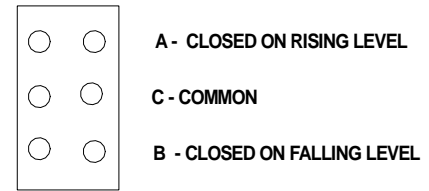
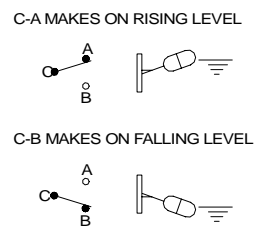


SPECIFICATION

LIQUID :
MOUNTING : SIDE MOUNTING
MAX. PRESS. : 7bar
MAX. TEMP. : 120°C
SWITCH : SPDT 250V3A
IP GRADE : 56

9	TERMINAL		1	
8	NAME PLATE	BS	1	
7	COVER	ALC	1	
6	CLAND PACKING	RUBBER	1	
5	CABLE GLAND	1/2" BS BUSH	1	
4	MICRO SWITCH		1	
3	BODY	SUS304	1	A-Flange
2	MAGNET	ALNICO	1	
1	FLOAT	SUS316L	1	

WIRING DIAGRAM



TERMINAL CONNECTION BLOCK

ISSUE	A	21-10-07	SAL	CHECKED
DATE	B	22-10-08	PGC	
DCR	C	28-10-08	SAL	
DRAWN	D	25-11-08	GFT	

PSm Instrumentation Ltd

Haywards Heath, West Sussex RH16 1TW
ph: 44 (0) 1444 410040 f: 44 (0) 1444 410121
<http://www.psm-sensors.co.uk>

SCALE
NTS

UNLESS OTHERWISE STATED DIMENSIONS ARE IN
MILLIMETRES / INCHES

TITLE
**Float Switch
KD12-HD-W-A**

DRAWING NO
S1339A-SW-GO

A4 SHT 1 OF 1