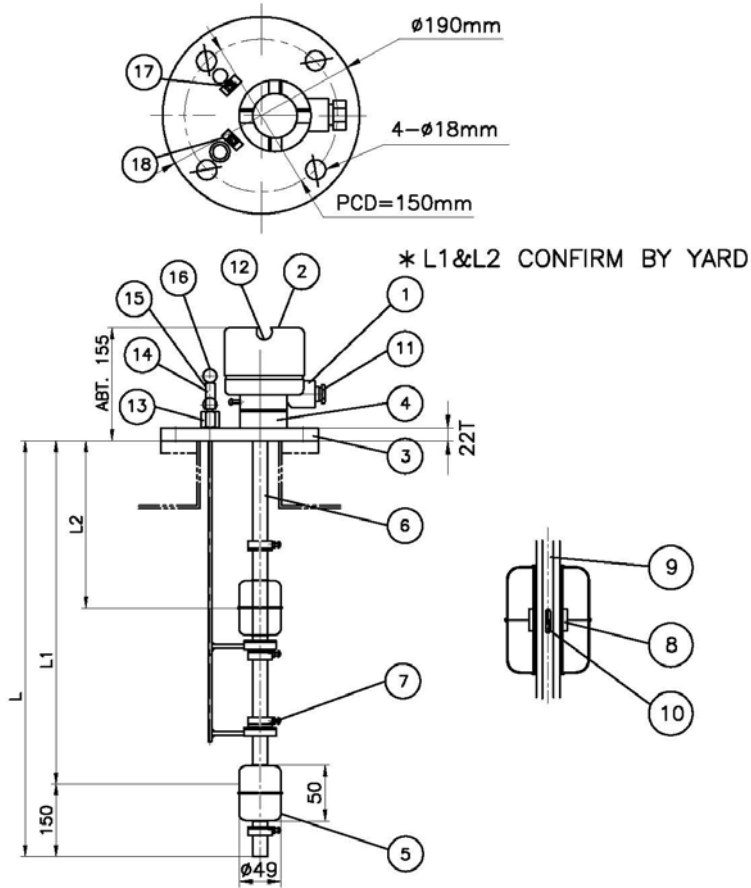


SALES DRAWING ONLY
NOT TO BE USED FOR MANUFACTURE



SPECIFICATION

1. MAX. PRESSURE : 10bar
2. MAX. TEMPERATURE : 120°C
3. MOUNTING : TOP FLANGE
4. SWITCH : REED SWITCH TYPE
5. VOLTAGE : 250V, 0.5A
6. ENCLOSURE : IP56
7. APPLICATION : WATER & OIL

PART NO	PART NAME	MATERIAL	Q'TY	REMARK
18	NAME PLATE		1	LOW ALARM
17	NAME PLATE	SUS304	1	HIGH ALARM
16	CAP		1	
15	SPRING	SUS304	1	
14	TEST LEVER	SUS304	1	LOW
13	TEST LEVER	SUS304	1	HIGH
12	NAME PLATE	BC	1	MAKER
11	CABLE GLAND	BC	1	
10	REED SWITCH		2	
9	PLATE	PCB	1	
8	MAGNET	FERRITE	4	
7	STOPPER	SUS304	4	
6	SENSOR PIPE	SUS304	1	∅21.7
5	FLOAT	SUS304	2	
4	SOCKET	SUS304	1	
3	FLANGE	SUS304	1	PN6DN80
2	COVER	ALC	1	
1	BODY	ALC	1	

ISSUE	A
DATE	20/10/09
DCR	
DRAWN	SAL
CHECKED	

PSM Instrumentation Ltd

Haywards Heath, West Sussex RH16 1TW
 ph: 44 (0) 1444 410040 f: 44 (0) 1444 410121
<http://www.psm-sensors.co.uk>

SCALE
NTS

UNLESS OTHERWISE STATED DIMENSIONS ARE IN
MILLIMETRES / INCHES

TITLE
Float Switch
KD30-9-2A-W-T

DRAWING NO
S-001333-SW-GO

A4 SHT 1 OF 1