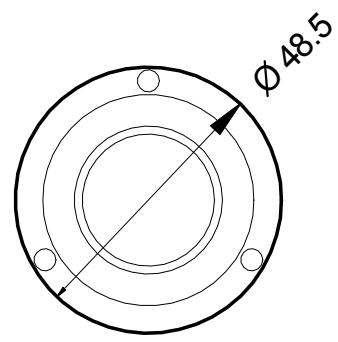
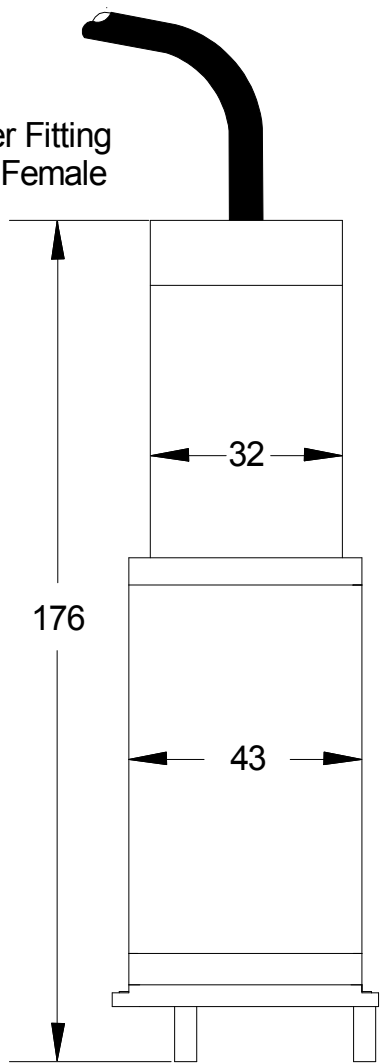


Optional Pole Adapter Fitting
Threaded 1/2" BSP Female



ISSUE	A	B
DATE	15-06-2009	03-12-14
DCR	JC	SL
DRAWN	JC	SL
CHECKED		

PSm Instrumentation Ltd

Haywards Heath, West Sussex RH16 1TW
ph: 44 (0) 1444 410040 f: 44 (0) 1444 410121
<http://www.psm-sensors.co.uk>

SCALE
NTS

UNLESS OTHERWISE STATED DIMENSIONS ARE IN
MILLIMETRES / INCHES

TITLE
Free Standing ICT

DRAWING NO
S-001324-iCT-GO

A4 SHT 1 OF 1