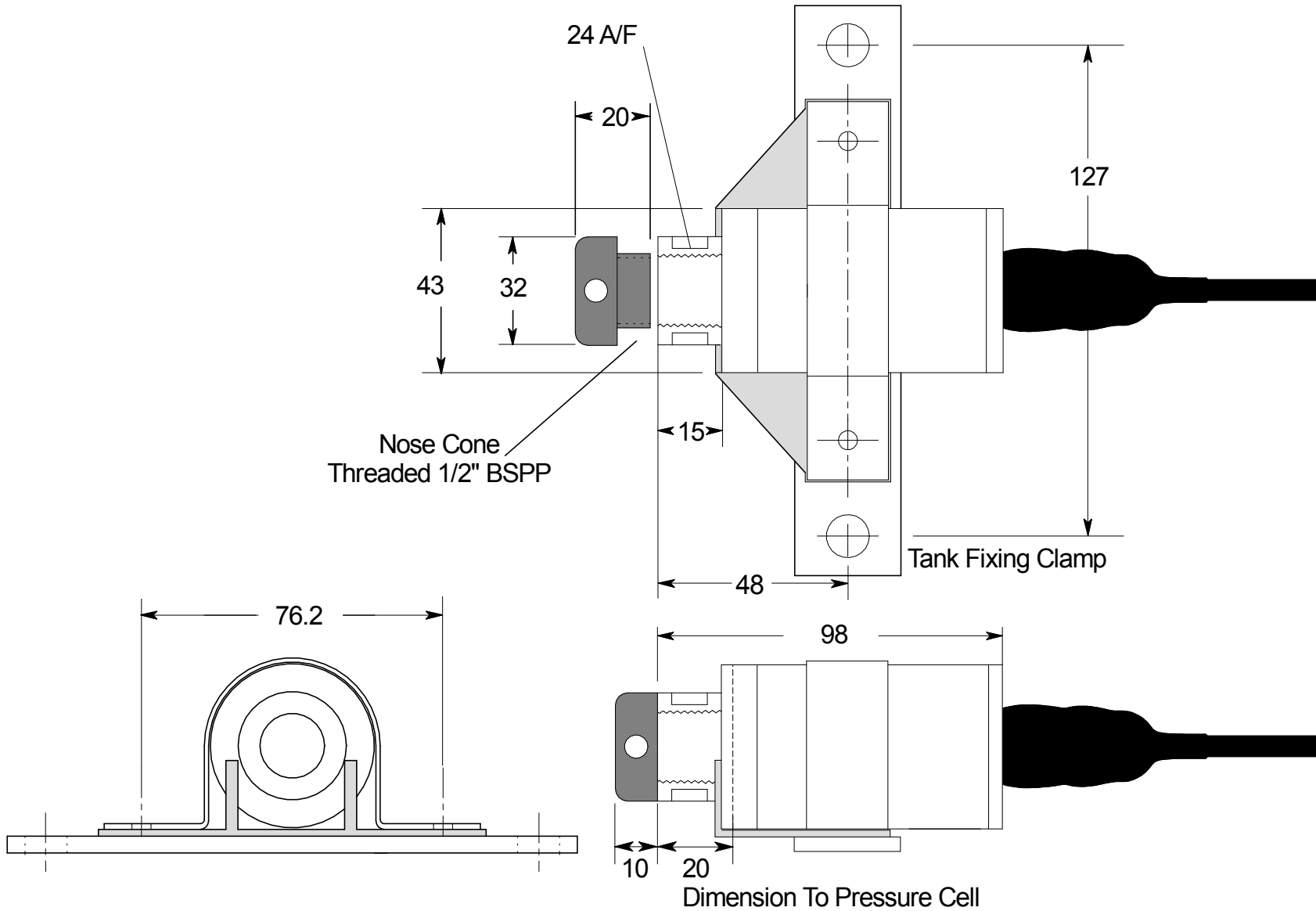


SALES DRAWING ONLY  
NOT TO BE USED FOR MANUFACTURE



**NOTE:**

To Prevent Cathodic Corrosion of the Sensor the Sensor Body & Clamp Must be Bonded Directly to the Ships Hull/Tank

**PSm** Instrumentation Ltd

Haywards Heath, West Sussex RH16 1TW  
ph: 44 (0) 1444 410040 f: 44 (0) 1444 410121  
<http://www.psmmarine.com>

ISSUE	A	B	C	D	E	F
DATE	03-02-2009	17-01-2011	02-07-14	09-04-15	23-02-16	30-08-16
DCR	PC	PC	SL	SL	SL	SL
DRAWN	PC	PC	SL	SL	SL	SL
CHECKED	JK	MJ	MJ	MJ	MJ	MJ

SCALE  
NTS

UNLESS OTHERWISE STATED DIMENSIONS ARE IN  
MILLIMETRES / INCHES

TITLE  
Submersible ICT with  
Tank Fixing Clamp

DRAWING NO  
S-001322-ICT-GO

**A4** SHT 1  
OF 1