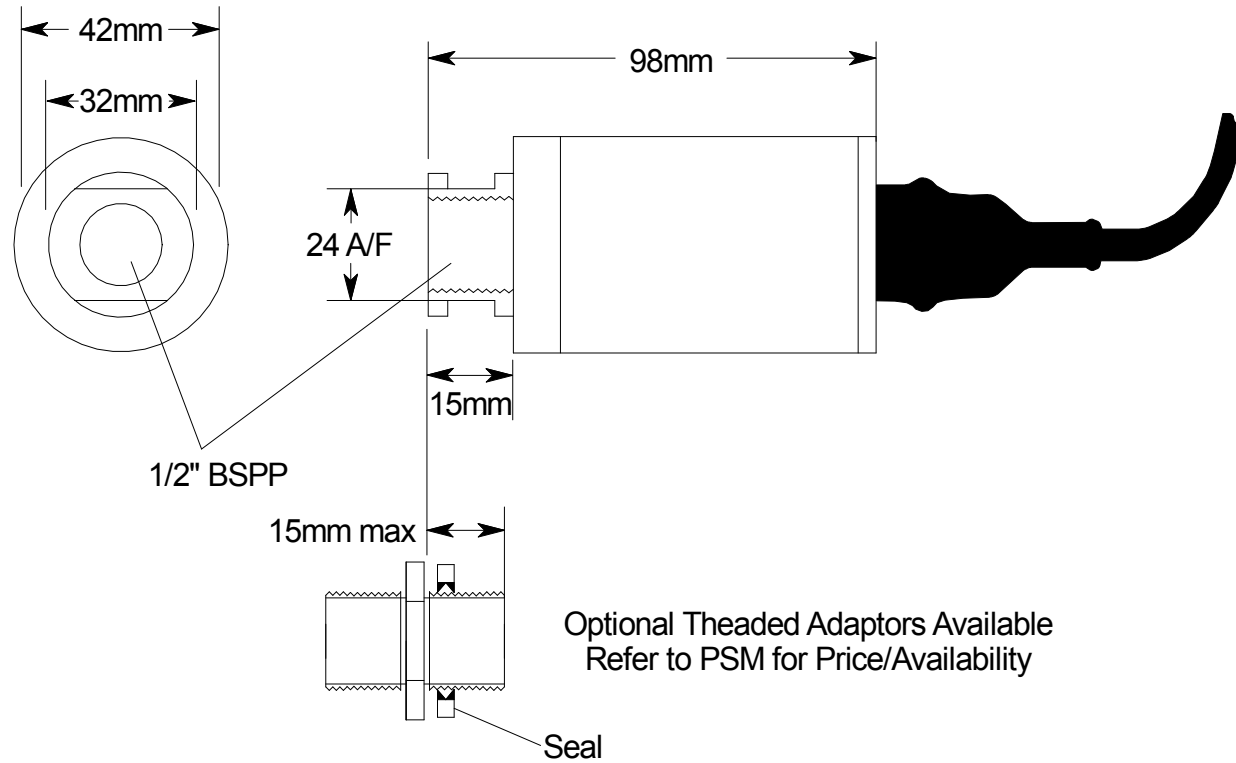


SALES DRAWING ONLY  
NOT TO BE USED FOR MANUFACTURE



ISSUE	A	B
DATE	03-02-09	18-05-15
DCR	JEC	SAL
CHECKED		MU

**PSm** Instrumentation Ltd

Haywards Heath, West Sussex RH16 1TW  
ph: 44 (0) 1444 410040 f: 44 (0) 1444 410121  
<http://www.psm-sensors.co.uk>

SCALE  
NTS

UNLESS OTHERWISE STATED DIMENSIONS ARE IN  
MILLIMETRES / INCHES

TITLE  
ICT Standard Transmitter with  
Threaded Adaptor Option Drawing

DRAWING NO  
S-001321-iCT-DD

**A4** SHT 1  
OF 1