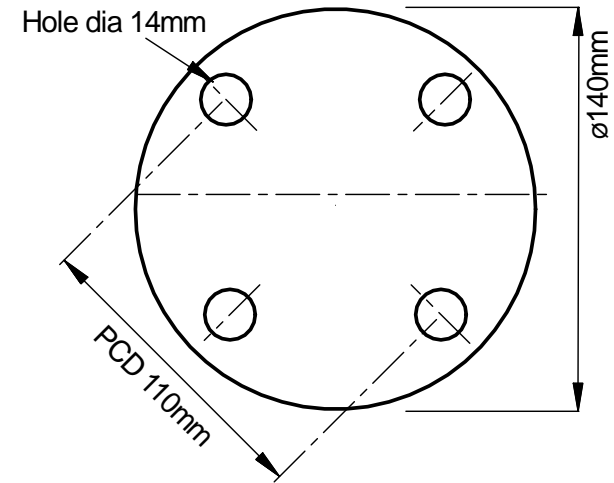
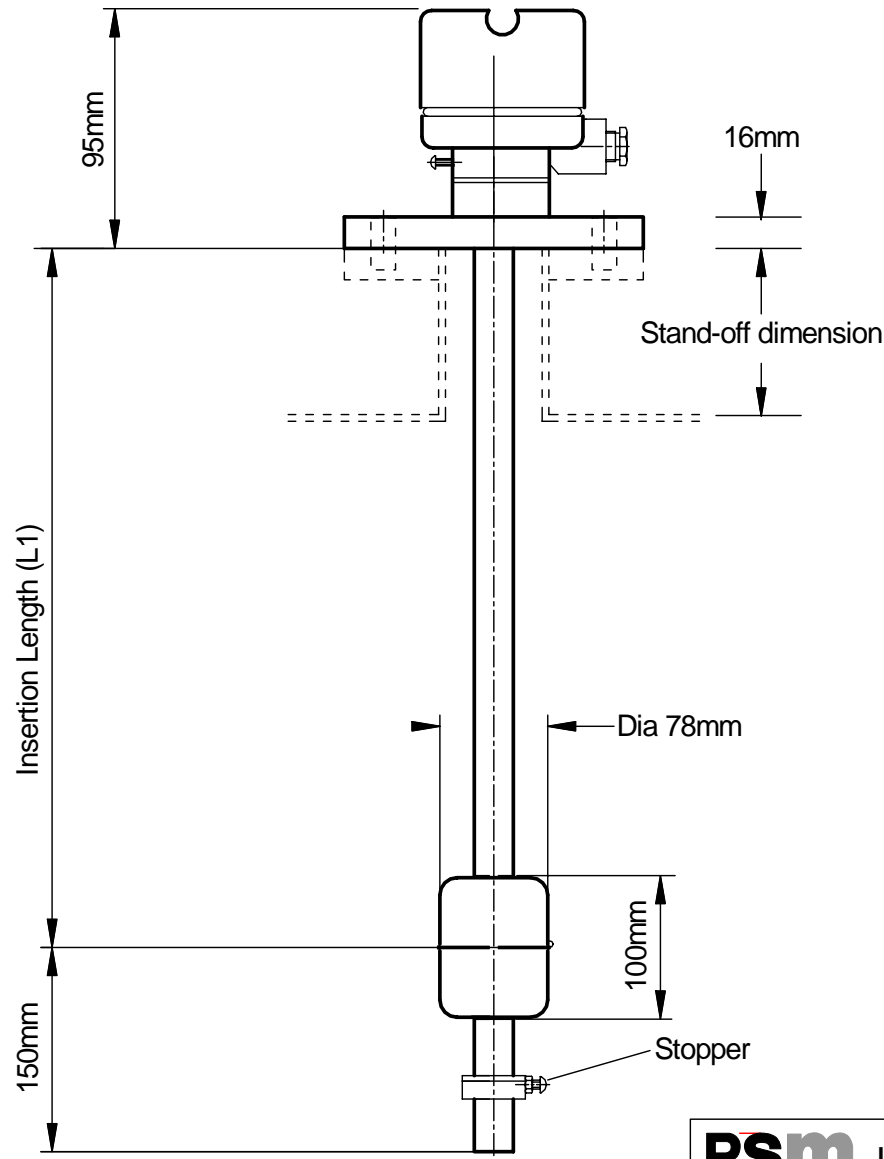


SALES DRAWING ONLY  
NOT TO BE USED FOR MANUFACTURE



SPECIFICATION

Float Max Pressure 10bar  
 Max Temperature : 120°C  
 Mounting : Top Flange Mounting  
 Flange : DN50 PN6 304SS  
 Switch : Reed Type  
 Rating : 250V 0.5A  
 Enclosure : Epoxy coated aluminium IP56

ISSUE	A
DATE	22-10-08
DCR	
DRAWN	JEK
CHECKED	

**PSm** Instrumentation Ltd

Haywards Heath, West Sussex RH16 1TW  
 ph: 44 (0) 1444 410040 f: 44 (0) 1444 410121  
<http://www.psm-sensors.co.uk>

SCALE  
NTS

UNLESS OTHERWISE STATED DIMENSIONS ARE IN  
MILLIMETRES / INCHES

TITLE  
Single Float Switch  
KD30-9-1A-W-G

DRAWING NO  
S1319-SW-GA

A4 SHT 1 OF 1