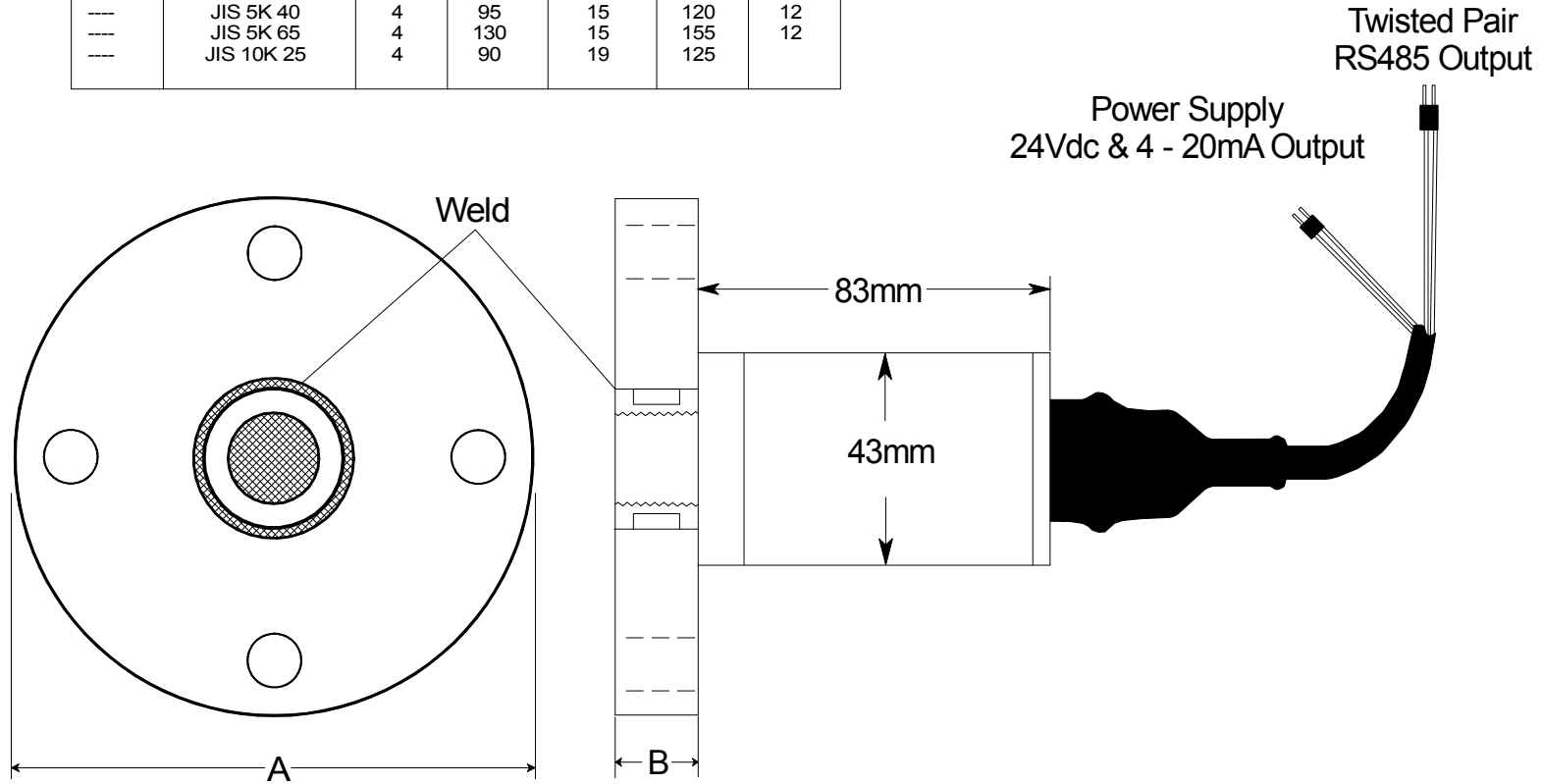


SALES DRAWING ONLY  
NOT TO BE USED FOR MANUFACTURE

Model	Flange	Holes	PCD	Hole Dia	A	B
A6	DN25 PN16	4	85	14	115	18
A9	1" ANSI 150lb	4	79.4	15.9	108	14.02
A7	DN40 PN16	4	110	18	150	18
A8	DN50 PN16	4	125	18	165	18
AA	1.5" ANSI 150lb	4	98.9	15.9	127	14.02
AB	2" ANSI 150lb	4	120.65	19.05	152.4	15.80
---	3" ANSI 150lb	4	152.4	19	190.5	19
---	JIS 5K 40	4	95	15	120	12
---	JIS 5K 65	4	130	15	155	12
---	JIS 10K 25	4	90	19	125	



ISSUE	DATE	DCR	DRAWN	CHECKED
A	12/11/06		JDS	
B	21/01/08		JK	
C	07/04/08		JC	
D	24-03-11		SAL	
E	27-06-13		SAL	
F	21-11-13		SAL	
G	02-07-14		SAL	

**PSm** Instrumentation Ltd

Haywards Heath, West Sussex RH16 1TW  
 ph: 44 (0) 1444 410040 f: 44 (0) 1444 410121  
<http://www.psmmarine.com>

SCALE  
NTS

UNLESS OTHERWISE STATED DIMENSIONS ARE IN  
MILLIMETRES / INCHES

TITLE  
Flange Mounting  
ICT Outline

DRAWING NO  
S-001264-ICT-DD

**A4**

SHT 1  
OF 1