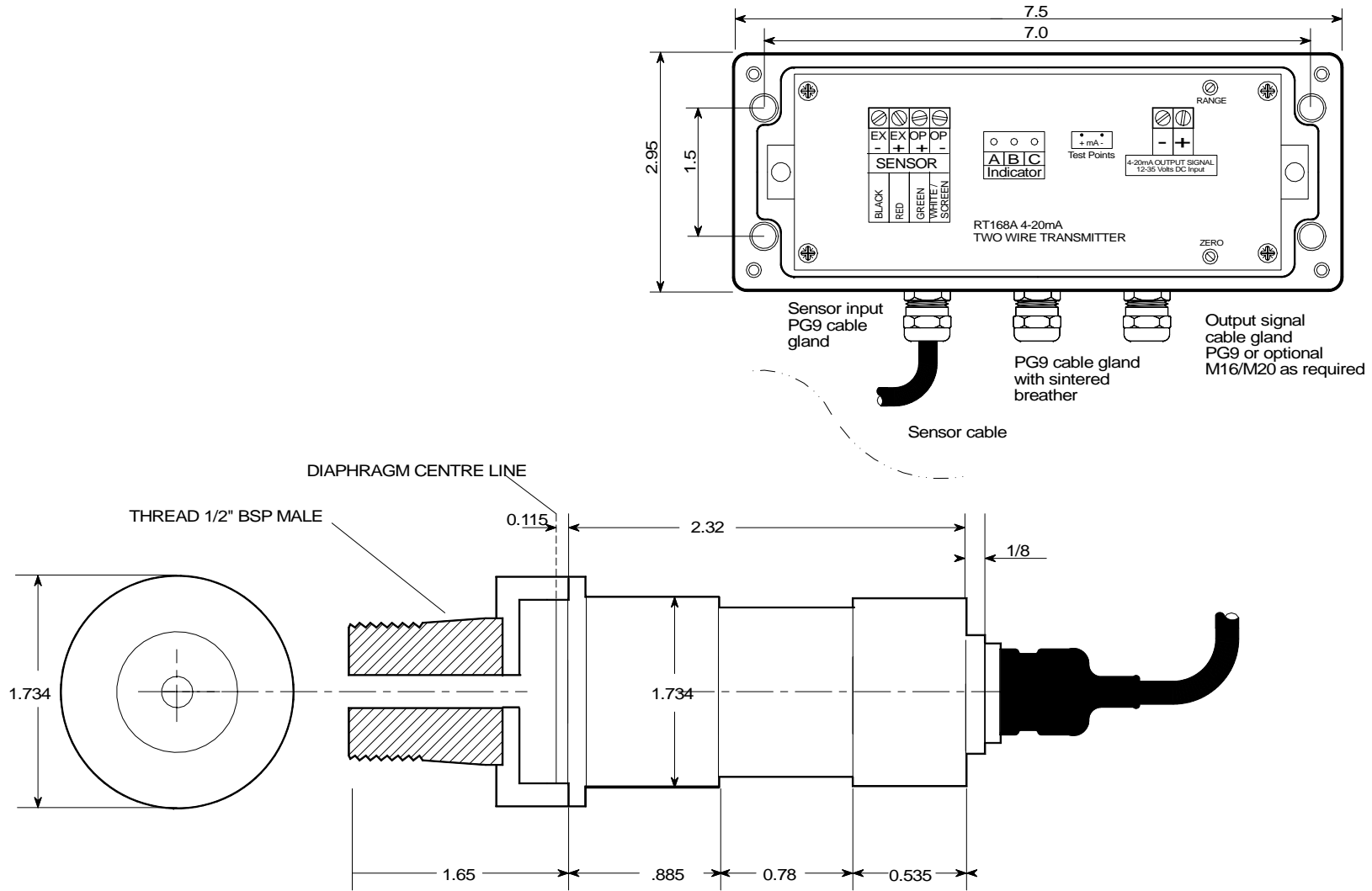


SALES DRAWING ONLY
NOT TO BE USED FOR MANUFACTURE



ISSUE	A	B
DATE	24-9-99	09-3-11
DCR		
DRAWN	JEK	SAL
CHECKED		

PSm Instrumentation Ltd

Haywards Heath, West Sussex RH16 1TW
 ph: 44 (0) 1444 410040 f: 44 (0) 1444 410121
<http://www.psm-sensors.co.uk>

SCALE
NTS

UNLESS OTHERWISE STATED DIMENSIONS ARE IN
MILLIMETRES / INCHES

TITLE
260/360 SERIES
THREADED 1/2" BSP MALE

DRAWING NO
S001110-360-DD

A4 SHT 1 OF 1