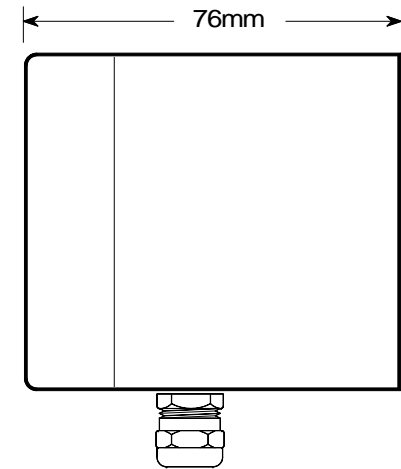
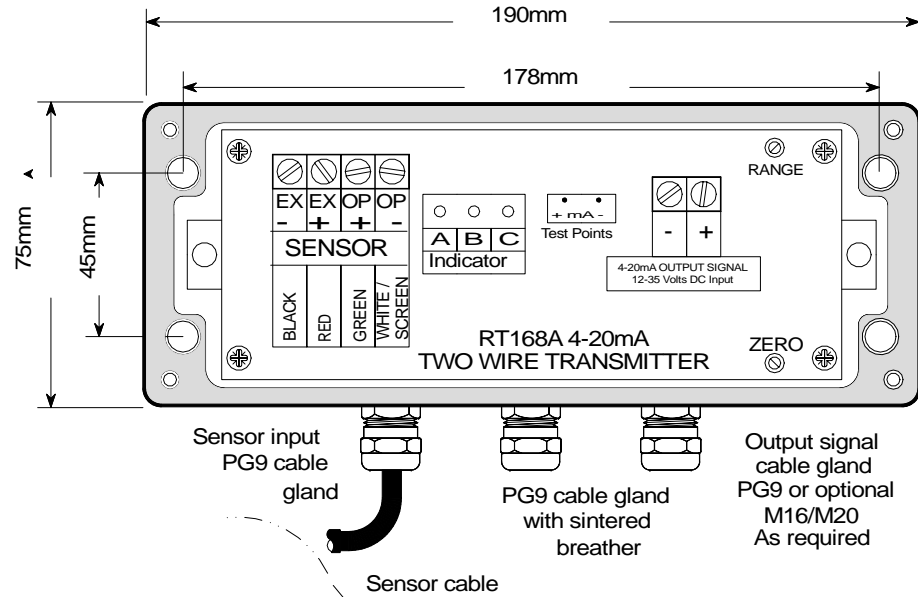
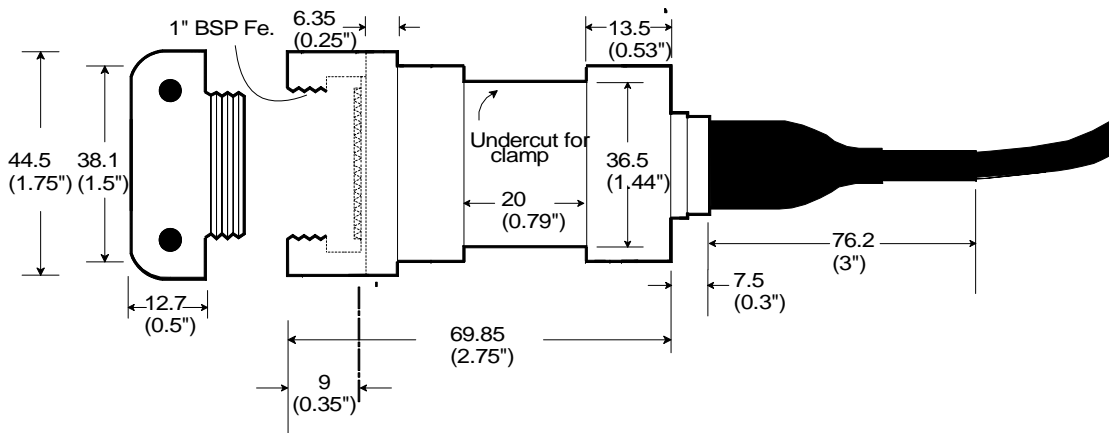
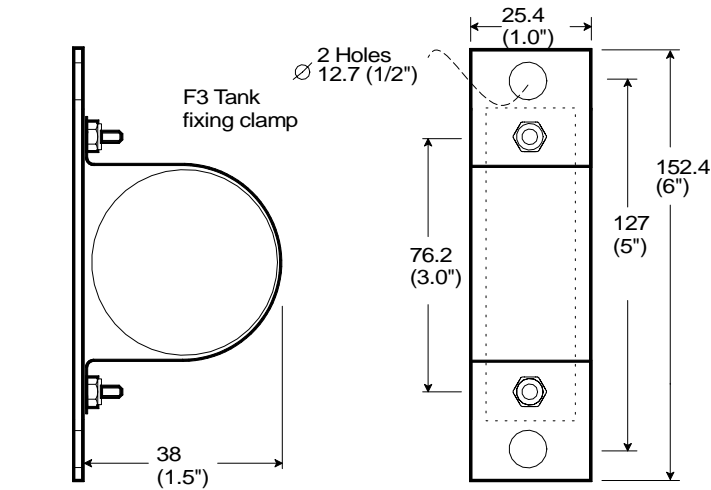


SALES DRAWING ONLY  
NOT TO BE USED FOR MANUFACTURE



ISSUE	A	E
DATE	24-08-99	09-03-11
DCR	JK	JK
DRAWN	JK	JK
CHECKED	JK	SAL

**PSm** Instrumentation Ltd

Haywards Heath, West Sussex RH16 1TW  
ph: 44 (0) 1444 410040 f: 44 (0) 1444 410121  
<http://www.psm-sensors.co.uk>

SCALE  
NTS

UNLESS OTHERWISE STATED DIMENSIONS ARE IN  
MILLIMETRES / INCHES

TITLE  
260/F3 Dimensional  
Drawing

DRAWING NO  
S-001109-0260-DD

A4  
SHT 1  
OF 1