

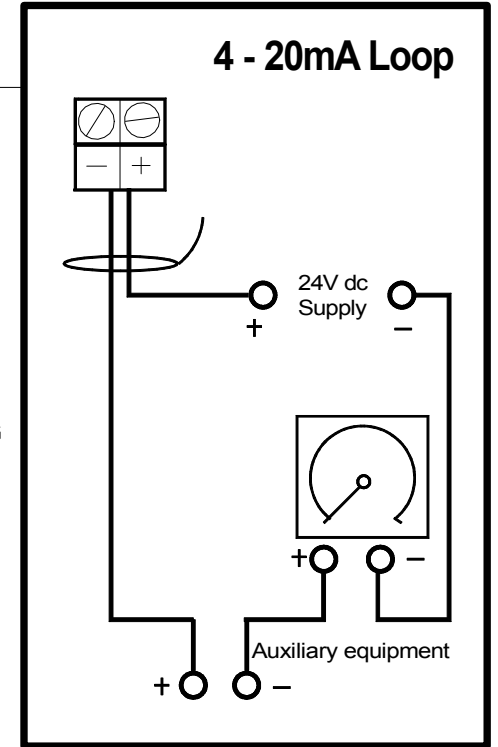
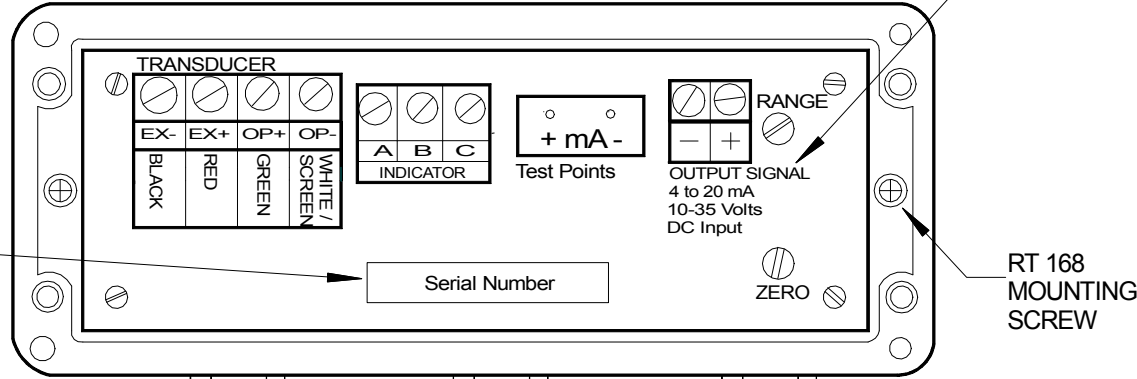
FAILURE TO CORRECTLY INSTALL AND WIRE THE RT168 TRANSMITTER CAN CAUSE

Man 07 Iss E

- INVALIDATION OF ATEX INTRINSICALLY SAFE CERTIFICATION
- EXCESSIVE SENSOR ZERO OFFSETS
- UNSTABLE READINGS
- INVALIDATION OF THE SENSOR CALIBRATION

The Enclosure is vented, it should be positioned with the glands on the underside ONLY to prevent direct ingress of moisture.

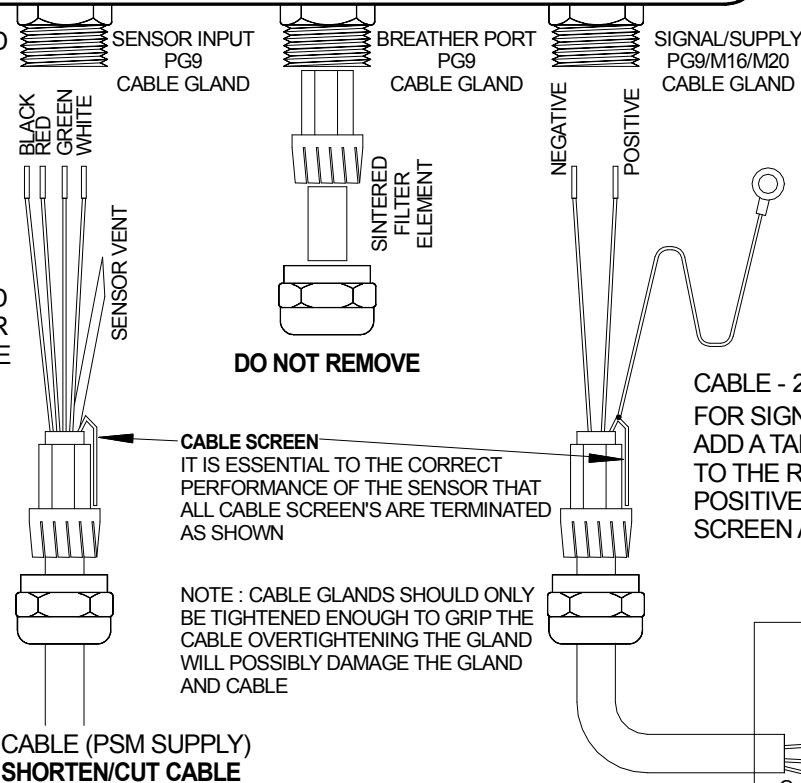
IMPORTANT NOTE
Sensor & RT168 Amplifier
Must be Matched Together
With the Same Unique Serial No
as Indicated



THE CABLE TERMINATION SHOULD BE COVERED TO PROTECT THE VENT TUBE AND CABLE FROM CONTAMINATION WHEN THE SENSOR CABLE IS PULLED FROM THE SENSOR LOCATION TO THE TRANSMITTER LOCATION

ONCE A SENSOR IS CORRECTLY INSTALLED IT SHOULD BE TURNED ON AND ALLOWED TO SETTLE FOR 15 MINUTES BEFORE SETTING THE 4.00mA ZERO POINT TO ITS WORKING ENVIRONMENT

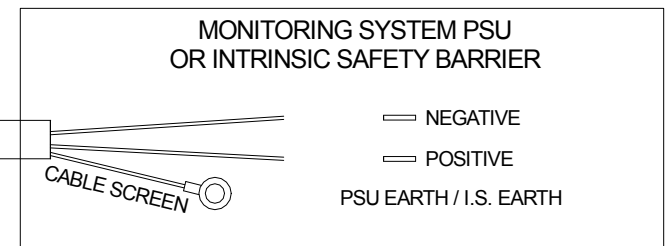
NOTE : BEFORE ZEROING
- THE TANK THAT THE SENSOR IS MONITORING MUST BE COMPLETELY EMPTY
- ANY ISOLATION VALVES AND VENTS MUST BE OPEN



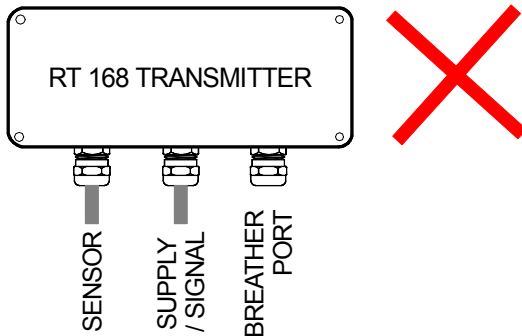
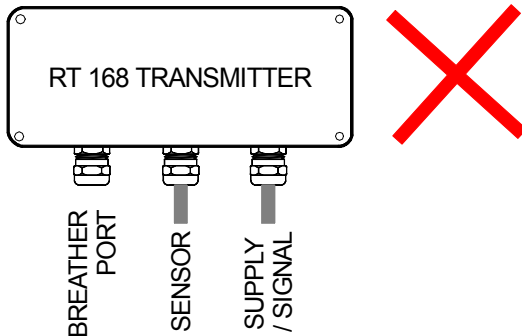
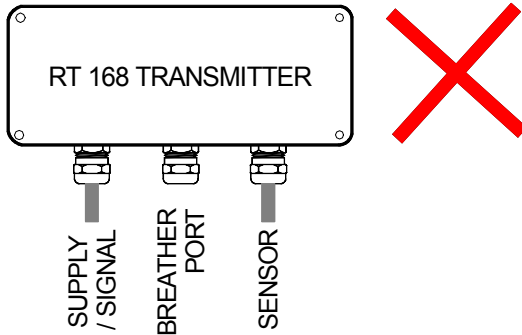
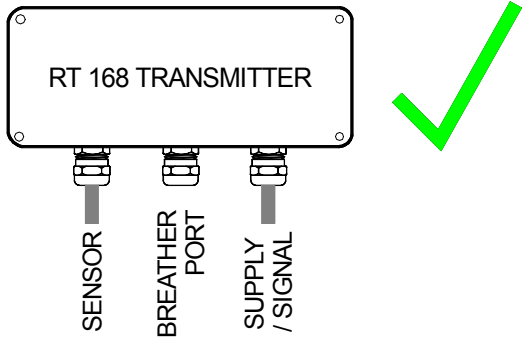
CABLE - 2 CORE / SCREEN (CUSTOMER SUPPLY) FOR SIGNAL GLANDS LARGER THAN PG9 (M16/M20) ADD A TAIL TO THE CABLE SCREEN TO CONNECT TO THE RT168 MOUNTING SCREW TO ENSURE POSITIVE CONNECTION BETWEEN CABLE SCREEN AND ENCLOSURE

CABLE SCREEN IT IS ESSENTIAL TO THE CORRECT PERFORMANCE OF THE SENSOR THAT ALL CABLE SCREEN'S ARE TERMINATED AS SHOWN

NOTE : CABLE GLANDS SHOULD ONLY BE TIGHTENED ENOUGH TO GRIP THE CABLE OVERTIGHTENING THE GLAND WILL POSSIBLY DAMAGE THE GLAND AND CABLE

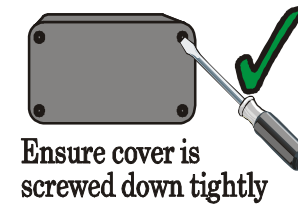
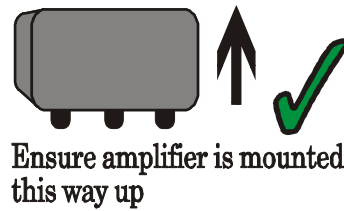
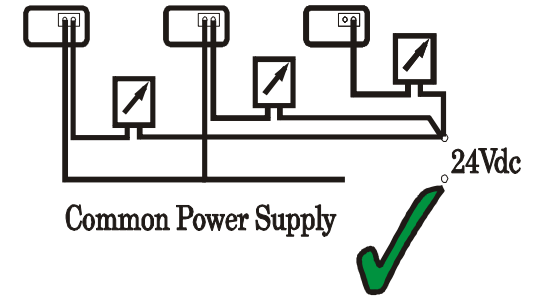
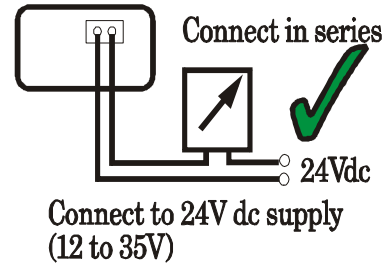
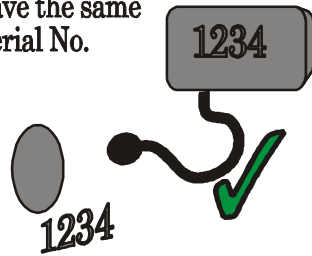


CABLE LOCATION



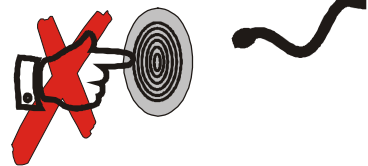
Do.....

Ensure Sensor and Amplifier have the same Serial No.

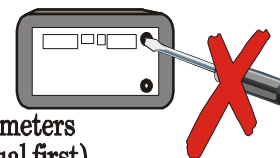


Don't.....

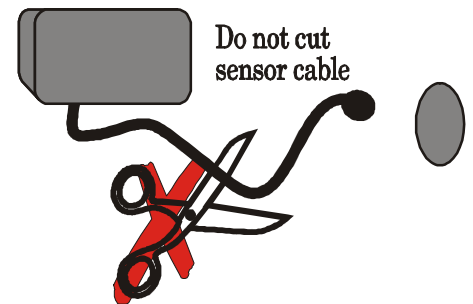
Do not Touch the sensor diaphragm



Do not adjust the zero & span potentiometers (refer to manual first)



Do not cut sensor cable



Do not apply mains voltage



Do not ground box

