

FLAT TYPE GLASS LEVEL GAUGE USER MANUAL

MODEL : KD-FLG



KUK DONG LEVEL CO.
843-1, JANGLIM-DONG, SAHA-KU,
BUSAN, KOREA

TEL : +82-51-261-7569
+82-51-261-7982~3

FAX : +82-51-261-7570
E-MAIL : kdlevel@hanmail.net
kdlevel@naver.com

WEBSITE : www.levelgauge.net

SPECIFICATION

- MODEL : KD-FLG
- MOUNTING SIZE : 5Kg/cm² , 10Kg/cm² & DIN TYPE FLANGE
- MAT'L : VALVE-BC
CHANNEL-SUS304
GLASS-BOROSILICATE
- MAX.PRESS : 5Kg/cm²
- MAX.TEMP : 120 °C

INTRODUCTION

The KUK-DONG Flat Type glass Level Gauge is designed according to JIS standard specifications.

This type level gauge is used for marine oil tanks, water tanks.

Flat type glass level gauge allow an excellent observation of colorless liquid level through reflection of several parallel grooved glass.

The level gauge shall be classified into type A,B,C, according to the shape of the upper body.

(Refer to attached drawing)

INSTALLATION

- Check the glass damaged.
- Check the center to center of level gauge's Flange and shipyard's Flange.
- Each the Flat type glass level gauge is marked with tank name.

REPAIRMENT

- Remove gauge glass from channel carefully.
- The glass, Gasket should not be re-used.
- Clean up the metal surface for packing carefully.
Take off trace of packing and packing paste.
- Keep the metal surface for packing in perfect condition.

RE-ASSEMBLING

Refer to the sketch for assembling procedure

A. BOLTING TIME

FIRST : 80% of tightening

SECOND : 100% of tightening

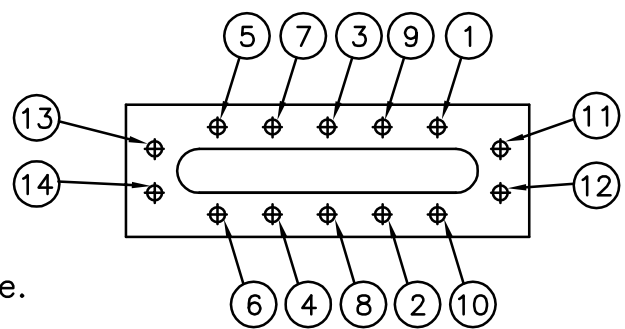
B. BOLTS & NUTS Quantity

Depends on the level gauge's size.

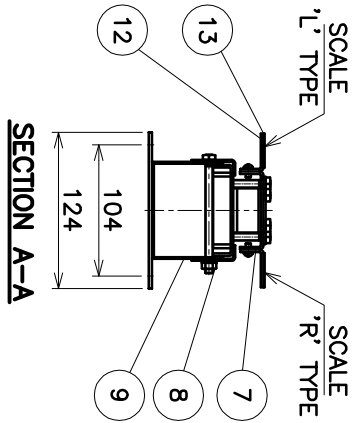
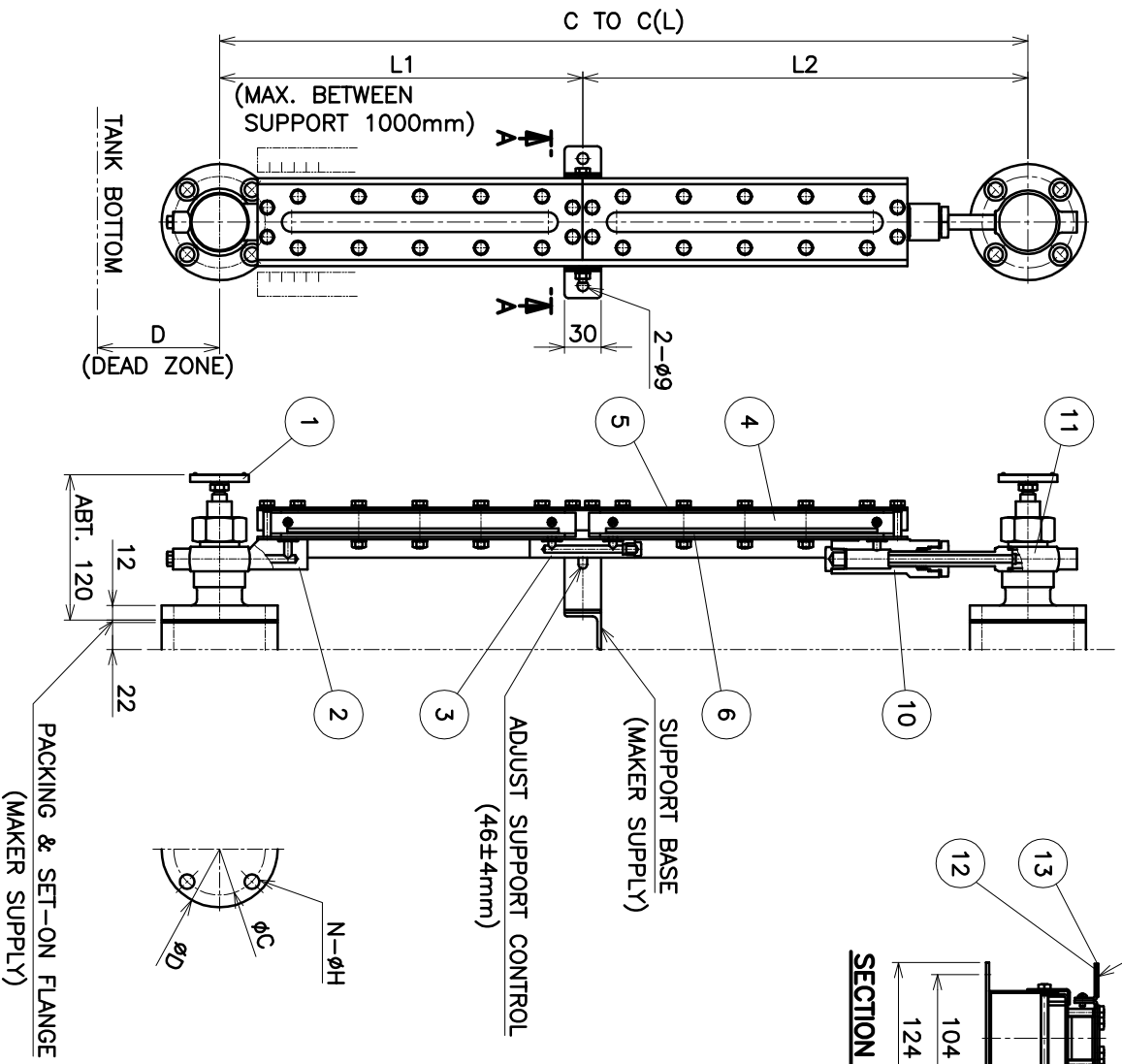
so, actual bolts & nuts quantity

may be different from the right figure.

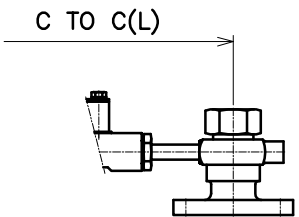
C. Carry out leakage test at the specified pressure.



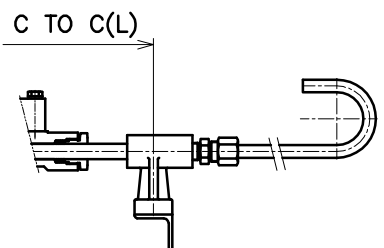
FIGURE



B-TYPE(TANK RETURN)



A-TYPE(AIR VENT)



NOTE

1. MODEL : KD-FLG
2. WORKING PRESSURE : 5kg/cm²
3. MAX. TEMPERATURE : 120°C

NO	PART NAME
1	VALVE
2	BOTTOM COLLAR
3	CONNECTOR
4	GLASS
5	GASKET
6	PACKING
7	FRONT CHANNEL
8	BACK CHANNEL
9	SUPPORT
10	TOP COLLAR
11	TOP BLOCK
12	SCALE SUPPORT
13	SCALE