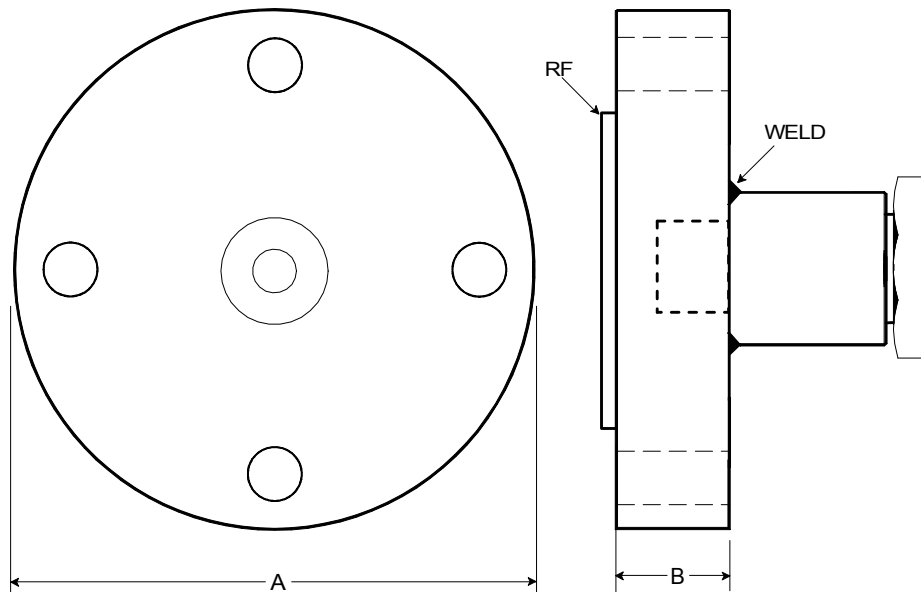


Flange	Holes	PCD	Hole Dia	A	B
DN25 PN16	4	85	14	115	18
DN40 PN16	4	110	18	150	18
DN50 PN16	4	125	18	165	18
3" ANSI 150lb	4	152.4	19	190.5	19
2" ANSI 150lb	4	120.65	19.05	152.4	15.80

AVAILABLE IN ALL CARBON STEEL OR ALL 316 STAINLESS STEEL.  
PLEASE SPECIFY WHEN ORDERING.



FOR DIMENSIONAL DETAILS OF GLAND ASSEMBLY REFER TO DRAWING S-001079-0600-DD



**INSTRUMENTATION LTD**  
PART OF THE **scanjet** GROUP

TITLE  
Tank Closing Flange  
with LG/LGS  
Cable Penetration

DRAWING No  
S-001346-GEN-DD

SALES DRAWING ONLY

SHT 1  
OF 1

A4

SCALE	NTS	FINISH
MATERIAL AND SPECIFICATION		
ALL DIMENSIONS ARE IN MILLIMETERS UNLESS OTHERWISE STATED TOLERANCES UNLESS OTHERWISE STATED +/- 0.1 ANG +/-2		
ISSUE	B	160720
DATE		
TCR		
DRAWN	SL	
CHECKED		