

LSA Series Float Level Switches



Key features

- Horizontal or vertical mounting
- Rugged construction suitable for harsh marine environments
- Integrated test handle
- Marine Type approved
- IP68 Ingress Protection
- Optional manual test mechanism
- Hazardous approval: ATEX Eexd

Part of the **TankWatch** product group

PSM Instrumentation Ltd, Unit 3 Burrell Road, Haywards Heath, West Sussex, RH16 1TW. UK

DAT 56B Feb 2020

LSA Marine Float Level Switch

Marine float level switches, from PSM, whether horizontally or vertically mounted, provide high-level or low-level detection of liquids in all types of vessels.

PSM offers a wide range of float switch models that will suit each specific application, with single or dual levels switches and multiple combinations of high and low level functions.

Horizontal or Vertical Mounting

The LSA switch is mounted horizontally or vertically in the tank and uses a cylindrical float with a magnet attached to the end of the lever arm that activates a reed type magnetic micro-switch in the electrical connection housing as the float rise or falls.

Integral test handle

Versions of the LSA switch are available with an external test handle which enables triggering of the alarm irrespective of the level of liquid in the tank

IP68 Switch Housing

The housing is manufactured in corrosion resistant Gun Metal (RG5 or RG10) and the float assembly in 1.4571 Stainless Steel. Inclusion of an approved cable gland and integral cable during manufacture enables I.S. approved versions to be specified.

Installation lengths to suit the application

Top mounted switches may be specified with single or double cranked arms with dimensions to suit the required switchpoint.

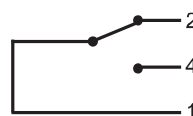
Specification

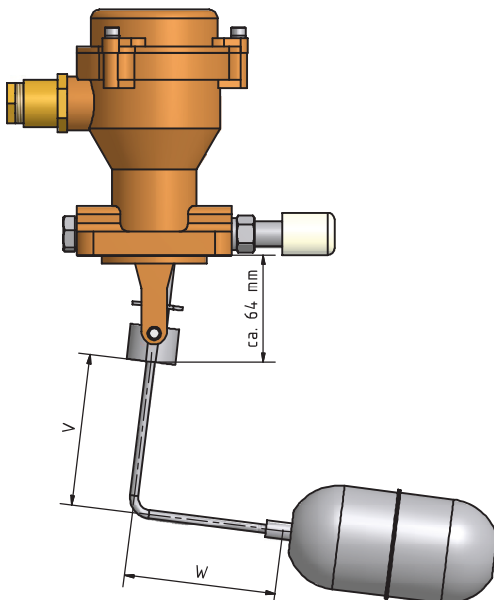
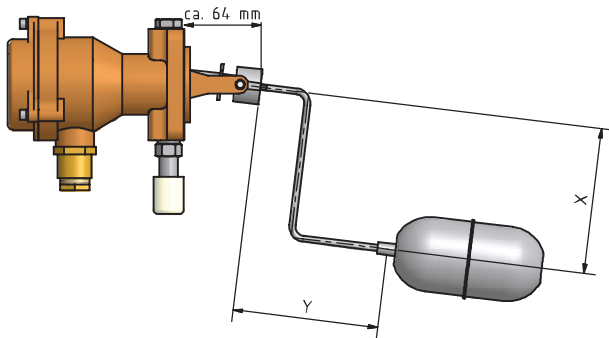
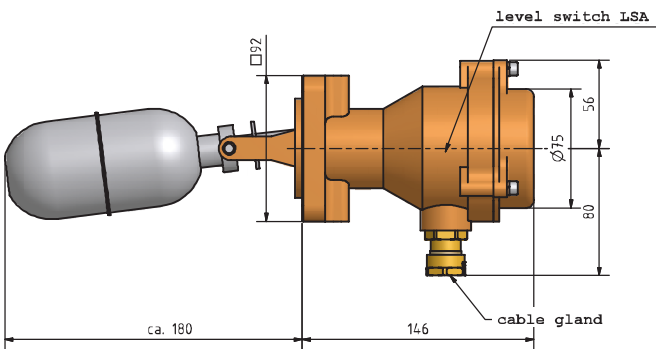
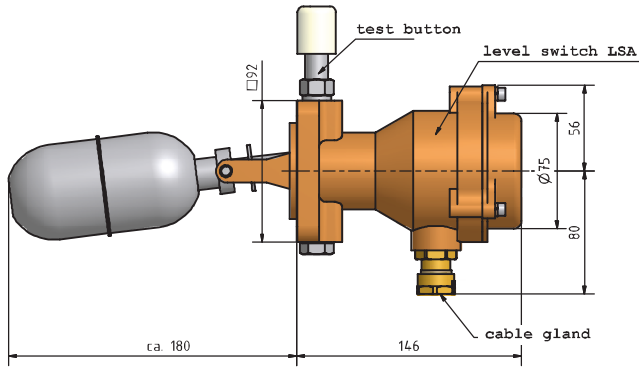
Housing material	Gun Metal- RG5 or RG10
Float material	1.4571 Stainless Steel
Flat seal material	Oil/Seawater resistant Novapress
Rubber seal	EPDM, NBR70
Protection type	protection type
Approvals	Germanischer Lloyd Lloyd's Register Russian Register ABS ATEX – IBExU
Max. pressure	42 bar (float)
Max. density	0,46 g/cm ³
Max. temperature ambient temperature	-40°C...+125°C -40°C...+60°C (Exd-version)
Mounting position	Top or side
Electrical connection	Cable gland, M20x1,5, IP68
Contact mode	SPDT
Weight	ca. 3,5 kg

Electrical Data

Rating	V AC	V DC inductive	V DC resistive
Max. voltage V	250 V	24 V	24 V
Max. current A (microswitch)	6 A	2 A	2 A

Connection of Switch





Order Code

for example: LSA 11.01.01.00

with test button for high level without cable 10
 with test button for low level without cable 11
 with test button for high level with cable 20
 with test button for low level with cable 21
 without test button without cable 30
 without test button with cable 40

standard float unit 01
 bent float unit (V + W; max. 760mm) 02
 double bent float unit (X + Y; max. 760mm) 03
 long float unit (V max. 760mm) 04
 protection skin SB1 05
 protection skin SB2 06

standard cable gland IP68 01
 Exd cable gland (IIB) 02
 Exd cable gland (IIC) 03

without cable 00
 with 3 m cable (Standard) 03
 with 5m cable 05
 with 10 m cable 10
 with ... m cable ??