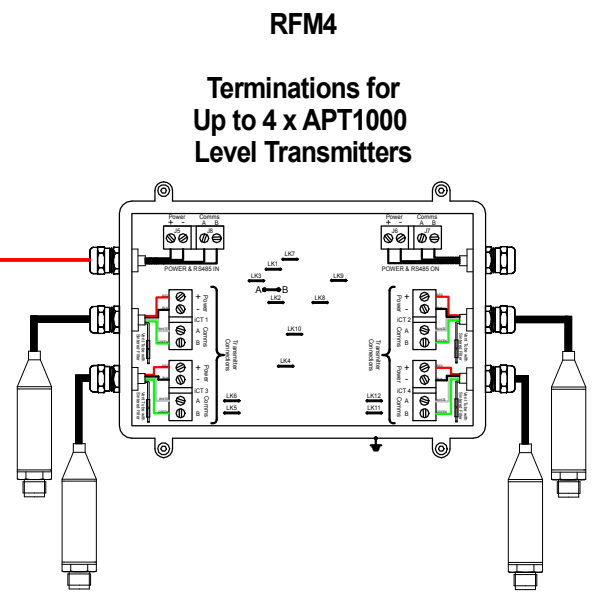
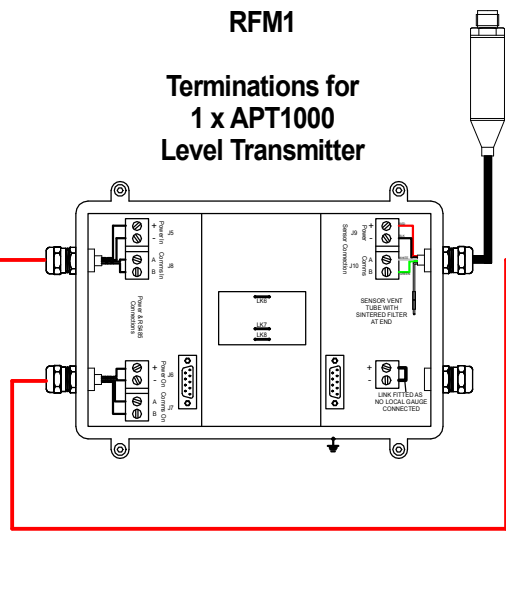
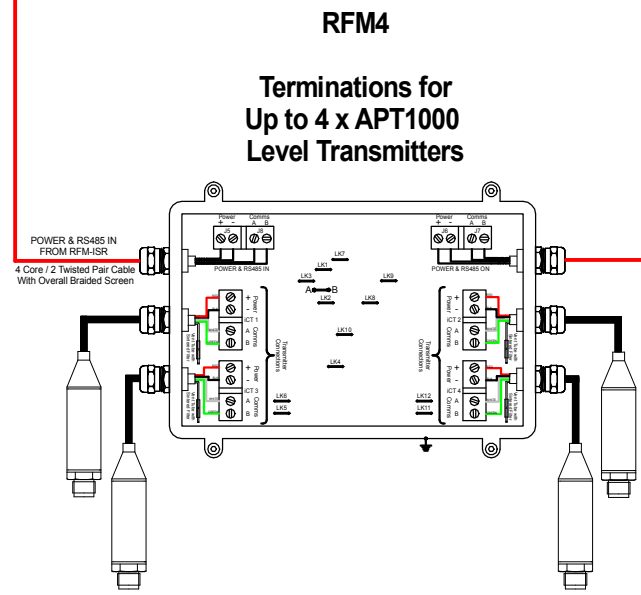
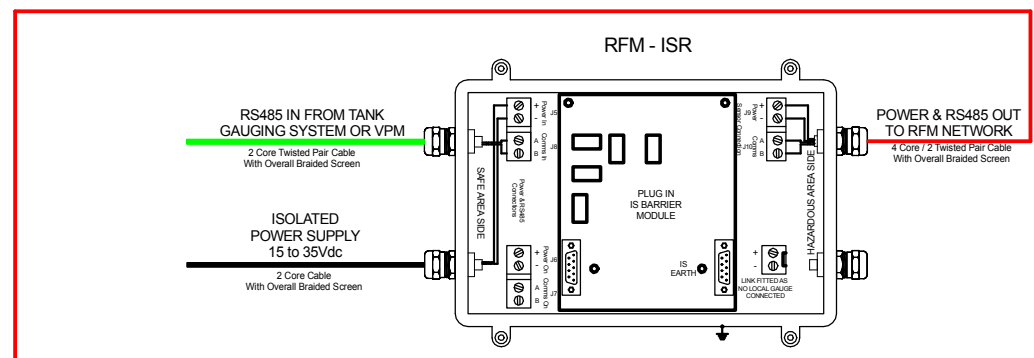


APT Cable Termination Refer to Drawing: S-001479-APT-GA

SAFE AREA
HAZARDOUS AREA



SCALE	NTS	FINISH
MATERIAL AND SPECIFICATION		
ALL DIMENSIONS ARE IN MILLIMETERS UNLESS OTHERWISE STATED		
TOLERANCES UNLESS OTHERWISE STATED	+/-0.1	ANG +/-2
ISSUE	A	
DATE	04-07-19	
TCR		
DRAWN	SAL	
CHECKED	MU	

PSm INSTRUMENTATION LTD
PART OF THE **scanjet** GROUP

TITLE
APT1000 - RFM
Network Connection
Drawing
Datasheet
APT1000 DAT57

DRAWING No
S-001484-APT1000-WD
SALES DRAWING ONLY

SHT 1
OF 1
A4