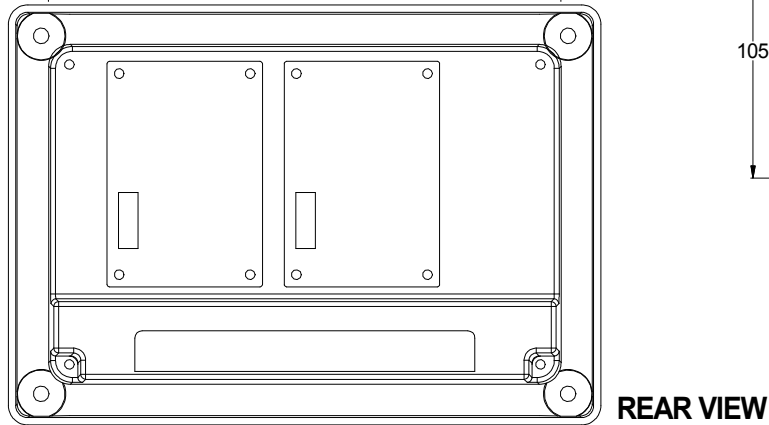
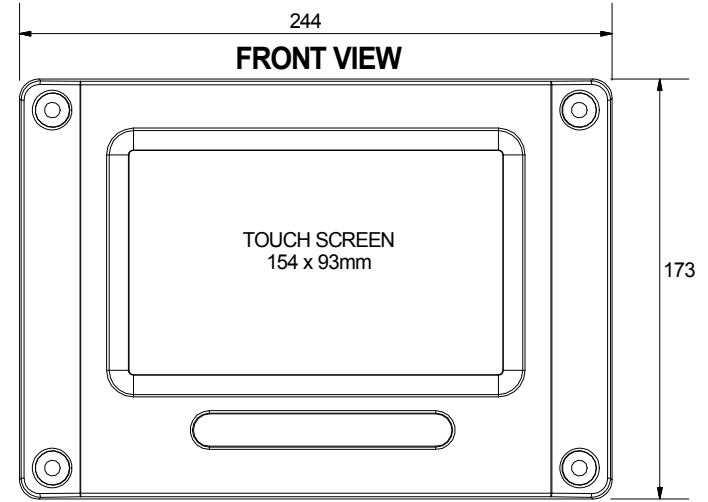
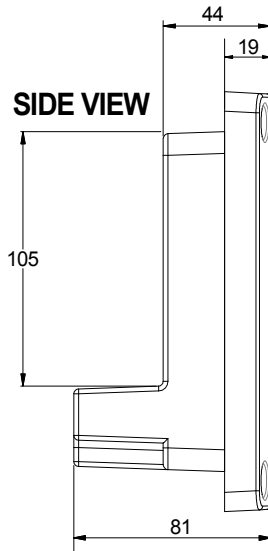
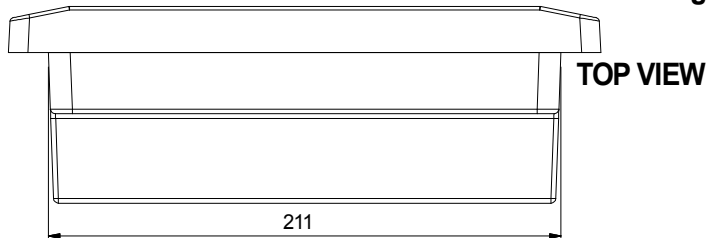
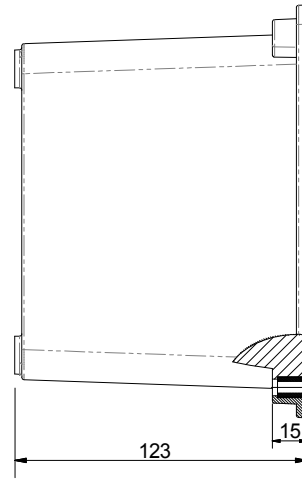
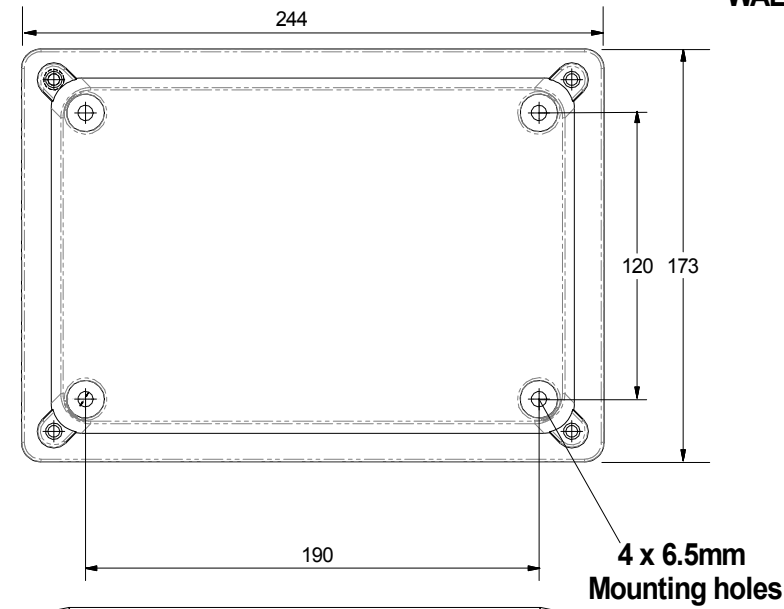


SALES DRAWING ONLY
NOT TO BE USED FOR MANUFACTURE

WALL MOUNT ADAPTER



PANEL CUT OUT DIMENSIONS: 215 x 144mm

ISSUE	A	B
DATE	09-01-15	31-01-17
DCR		
DRAWN	SAL	SAL
CHECKED		

PSm Instrumentation Ltd

Haywards Heath, West Sussex RH16 1TW
ph: 44 (0) 1444 410040 f: 44 (0) 1444 410121
<http://www.psmmarine.com>

SCALE

NTS

UNLESS OTHERWISE STATED DIMENSIONS ARE IN
MILLIMETRES / INCHES

TITLE

VPM4300 Series Process
Monitor Dimensional Drawing

DRAWING NO

S-001422-VPM-DD

A4

SHT 1
OF 1

